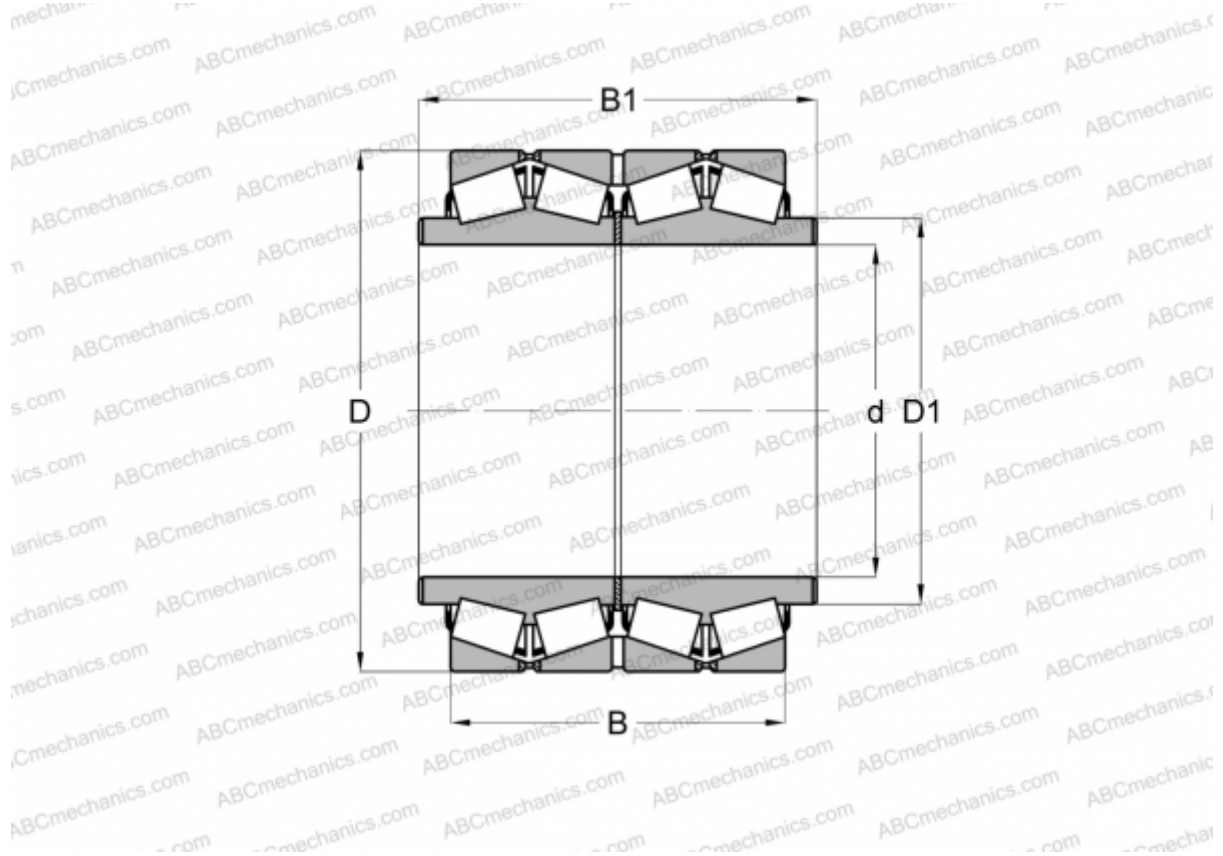


## 541941 FAG

Tapered roller bearings

TYPE: Roller bearings, Tapered, Four row, With extended cones (FAG)



### Technical specification

#### DIMENSIONS, MM

d	431,800
D	571,500
D1	457,200
B	279,400
B1	368,300

**WEIGHT, KG** 210,000

**MANUFACTURER** [FAG](#)