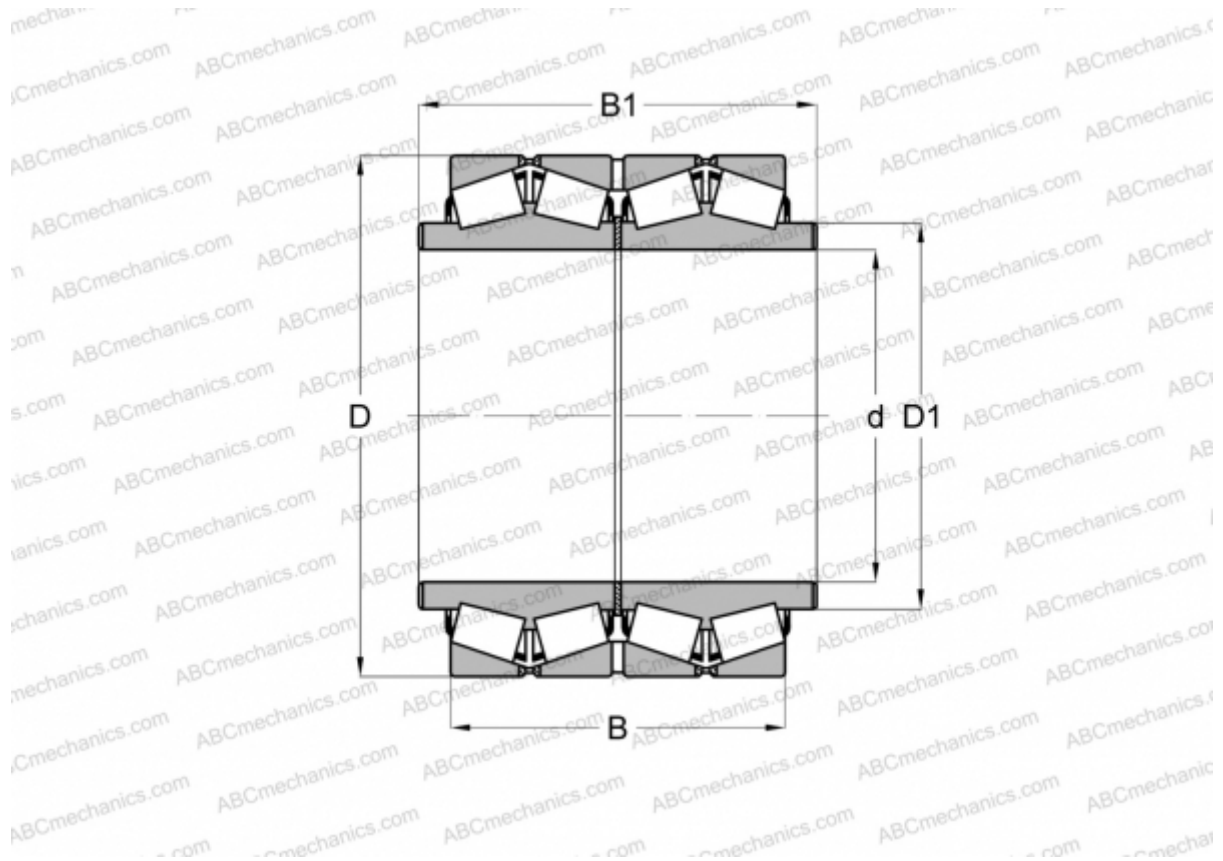


574289 FAG

Tapered roller bearings

TYPE: Roller bearings, Tapered, Four row, With extended cones (FAG)



Technical specification

DIMENSIONS, MM

| | |
|----|---------|
| d | 444,500 |
| D | 571,500 |
| D1 | 469,900 |
| B | 317,500 |
| B1 | 355,600 |

WEIGHT, KG 220,000

MANUFACTURER [FAG](#)