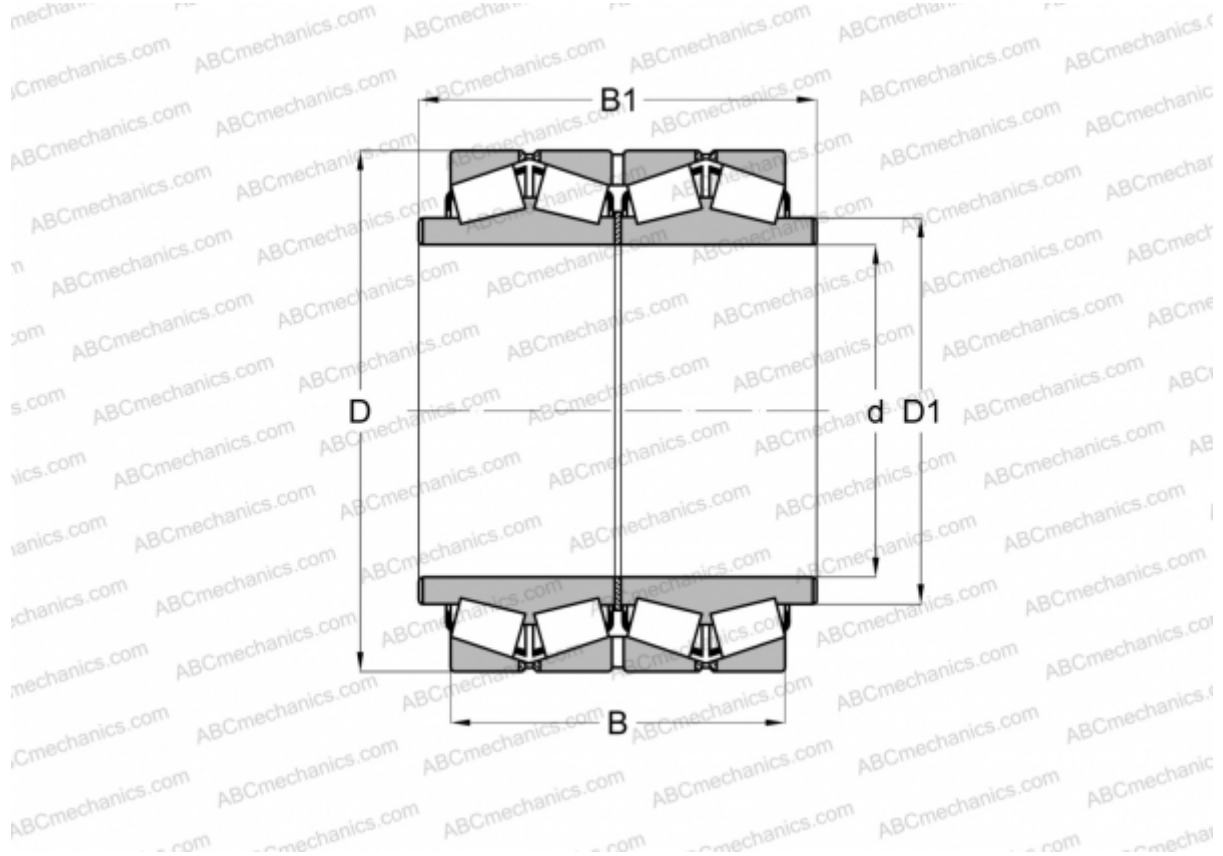


802059.H122AB FAG

Tapered roller bearings

TYPE: Roller bearings, Tapered, Four row, With extended cones (FAG)



Technical specification

DIMENSIONS, MM

d	482,600
D	615,950
D1	514,350
B	330,200
B1	419,100

WEIGHT, KG 259,000

MANUFACTURER [FAG](#)