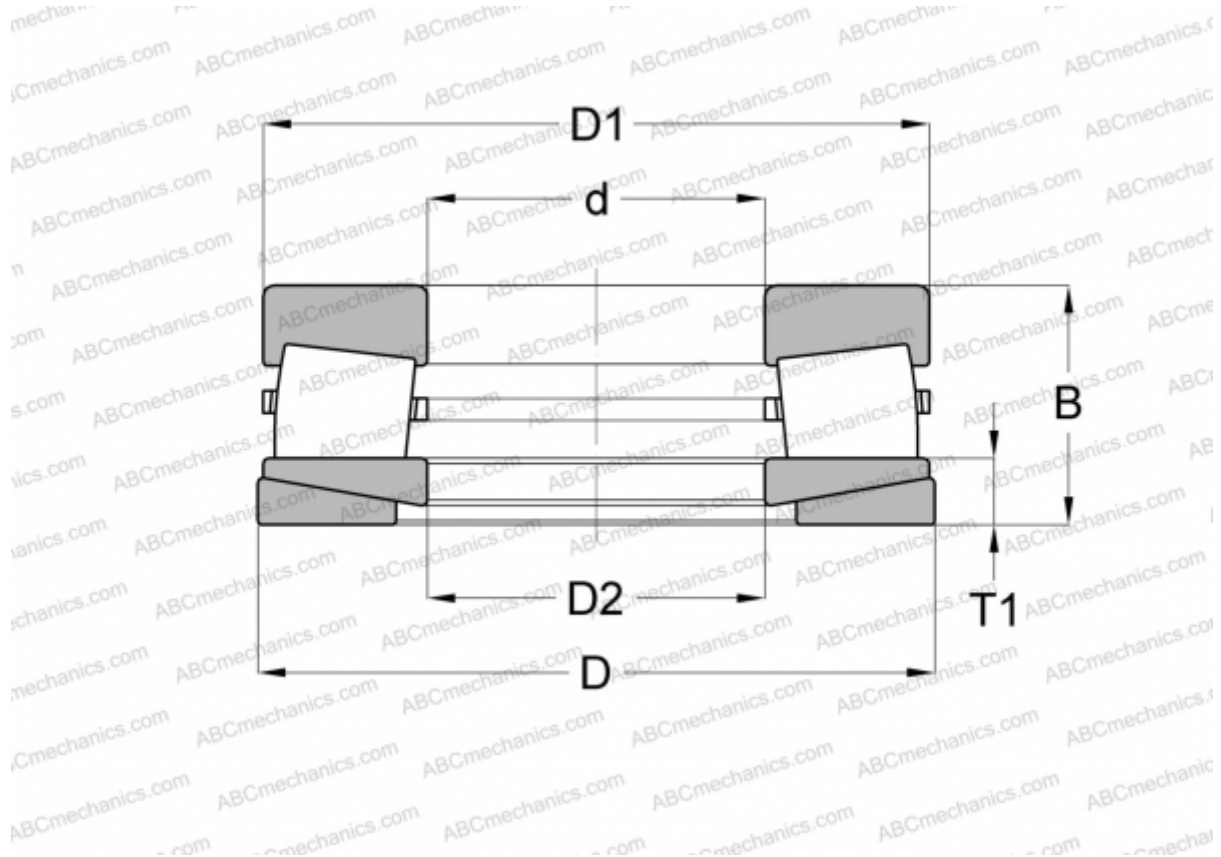


## B-7976-C TIMKEN

TYPE: Roller bearings, Tapered, Thrust, Type TTVS, self-aligning with stop rings



### Technical specification

#### DIMENSIONS, MM

d	184,150
D	406,400
D1	404,810
D2	187,320
B	203,200
T1	66,680

**WEIGHT, KG** 157,400

**MANUFACTURER** [TIMKEN](#)