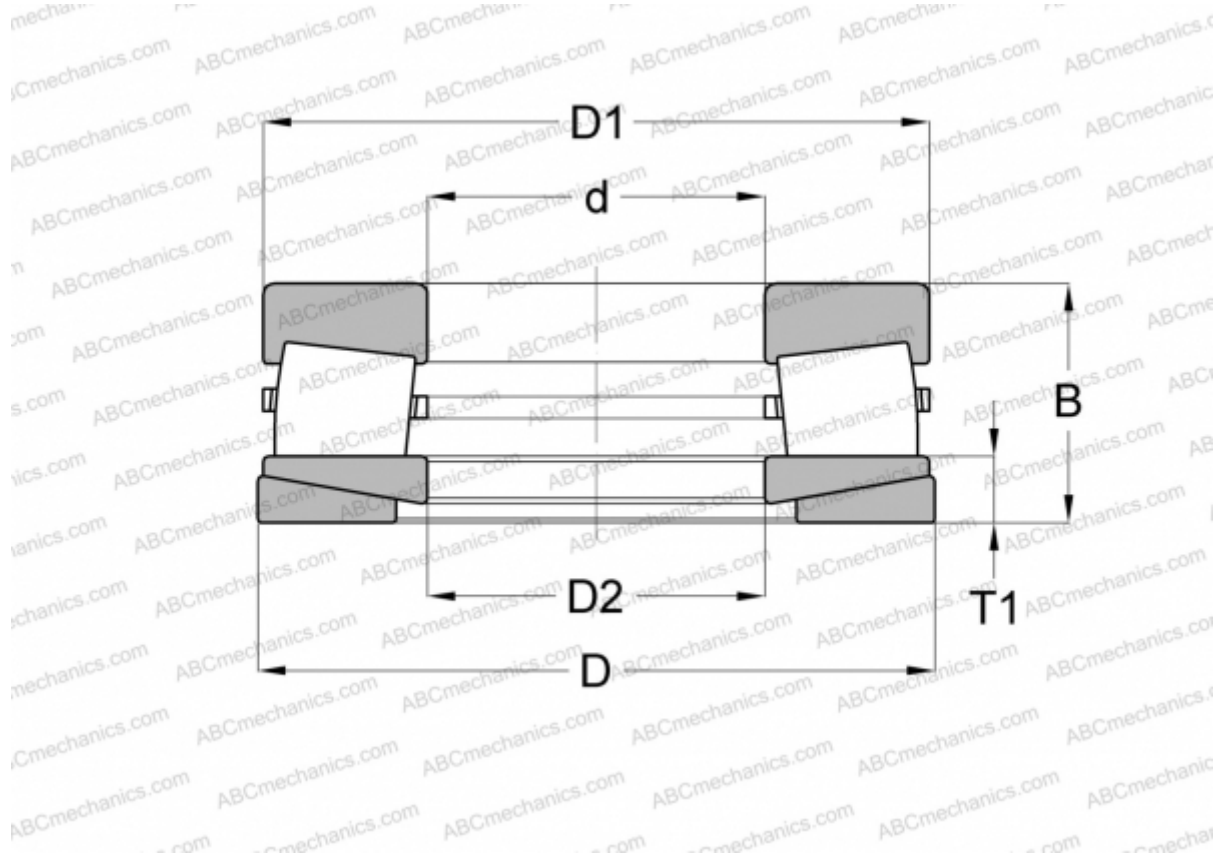


B-8824-C TIMKEN

TYPE: Roller bearings, Tapered, Thrust, Type TTVS, self-aligning with stop rings



Technical specification

DIMENSIONS, MM

d	199,374
D	399,948
D1	396,880
D2	203,200
B	121,841
T1	36,400

WEIGHT, KG 86,200

MANUFACTURER [TIMKEN](#)