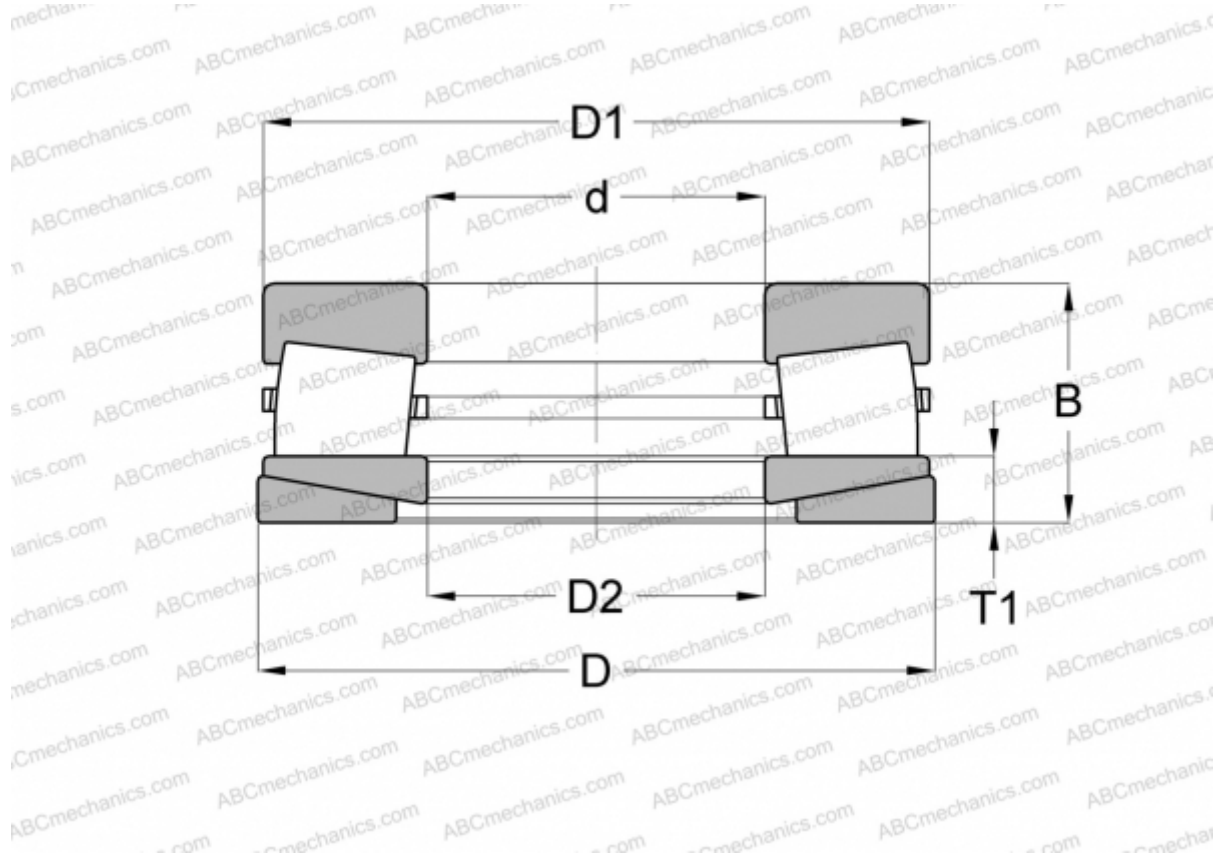


E-2004-C TIMKEN

TYPE: Roller bearings, Tapered, Thrust, Type TTVS, self-aligning with stop rings



Technical specification

DIMENSIONS, MM

d	228,600
D	482,549
D1	479,550
D2	231,780
B	158,750
T1	44,910

WEIGHT, KG 170,100

MANUFACTURER [TIMKEN](#)