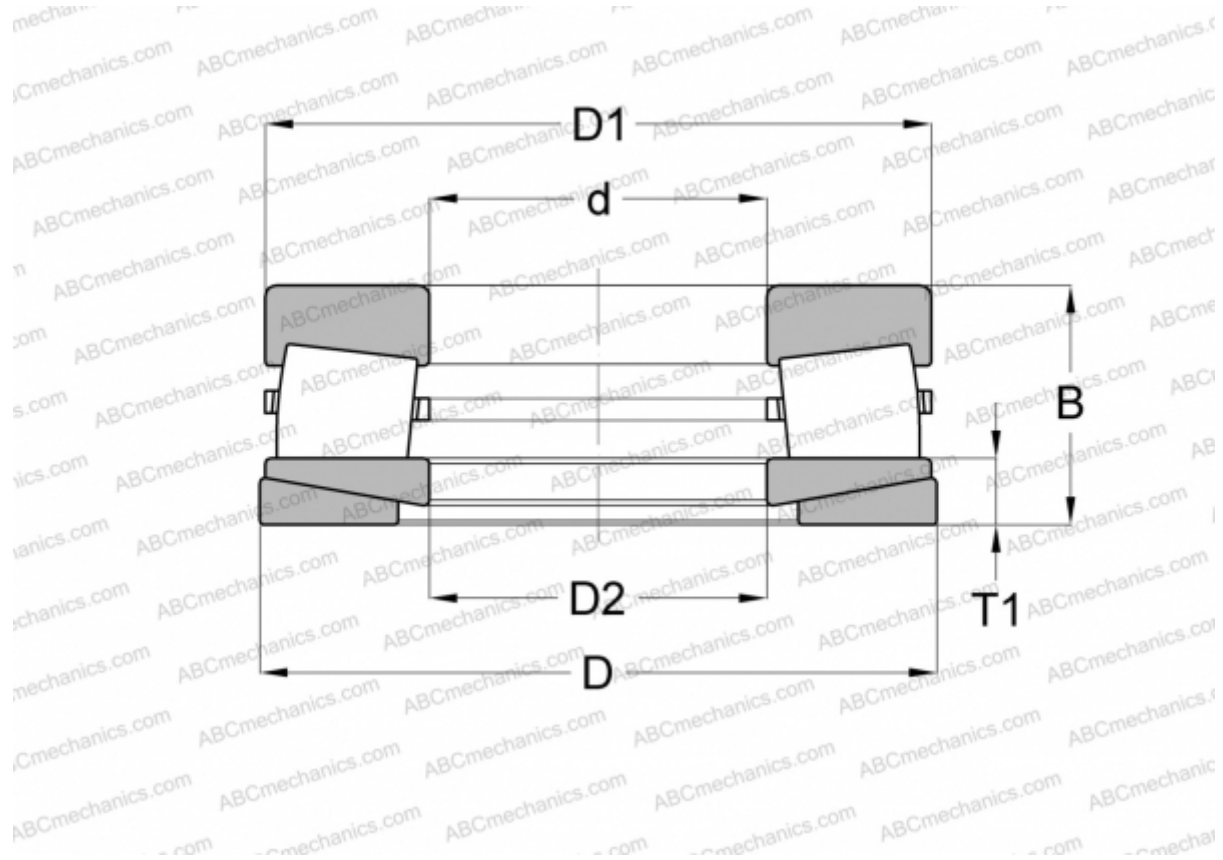


H-1685-C TIMKEN

TYPE: Roller bearings, Tapered, Thrust, Type TTVS, self-aligning with stop rings



Technical specification

DIMENSIONS, MM

d	241,300
D	488,899
D1	482,600
D2	242,090
B	152,400
T1	57,150

WEIGHT, KG 162,800

MANUFACTURER [TIMKEN](#)