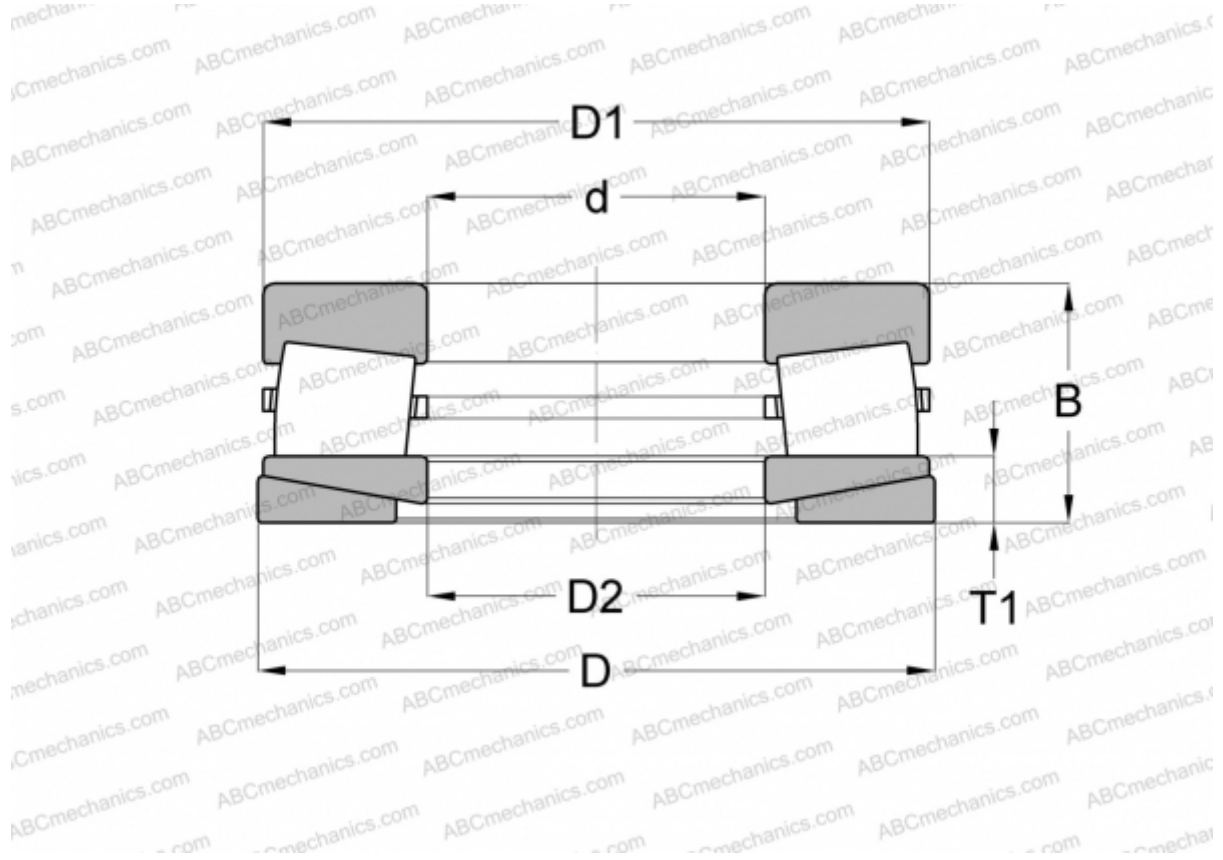


W-3120-C TIMKEN

TYPE: Roller bearings, Tapered, Thrust, Type TTVS, self-aligning with stop rings



Technical specification

DIMENSIONS, MM

d	253,975
D	508,000
D1	504,820
D2	285,750
B	215,900
T1	61,910

WEIGHT, KG 250,800

MANUFACTURER [TIMKEN](#)