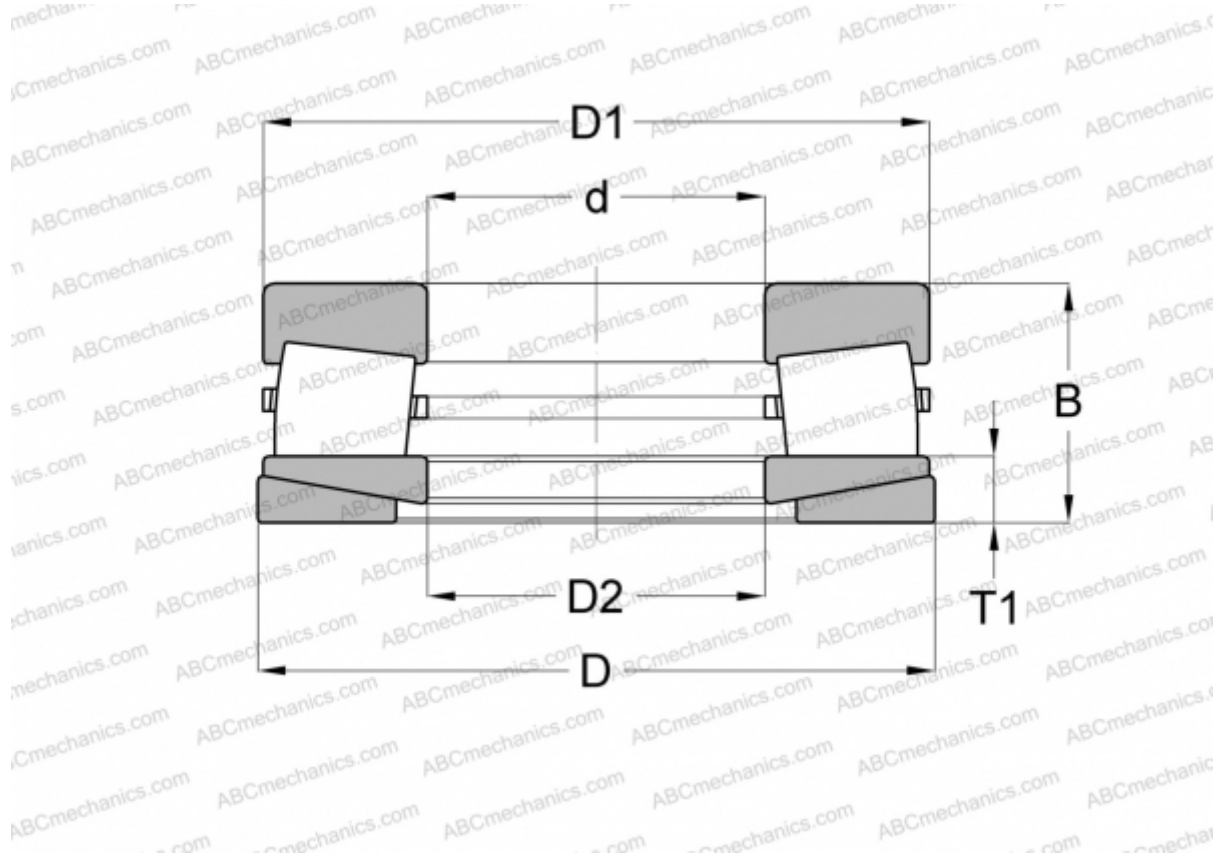


P-1739-C TIMKEN

TYPE: Roller bearings, Tapered, Thrust, Type TTVS, self-aligning with stop rings



Technical specification

DIMENSIONS, MM

d	304,800
D	609,600
D1	608,010
D2	307,980
B	215,900
T1	61,910

WEIGHT, KG 359,600

MANUFACTURER [TIMKEN](#)