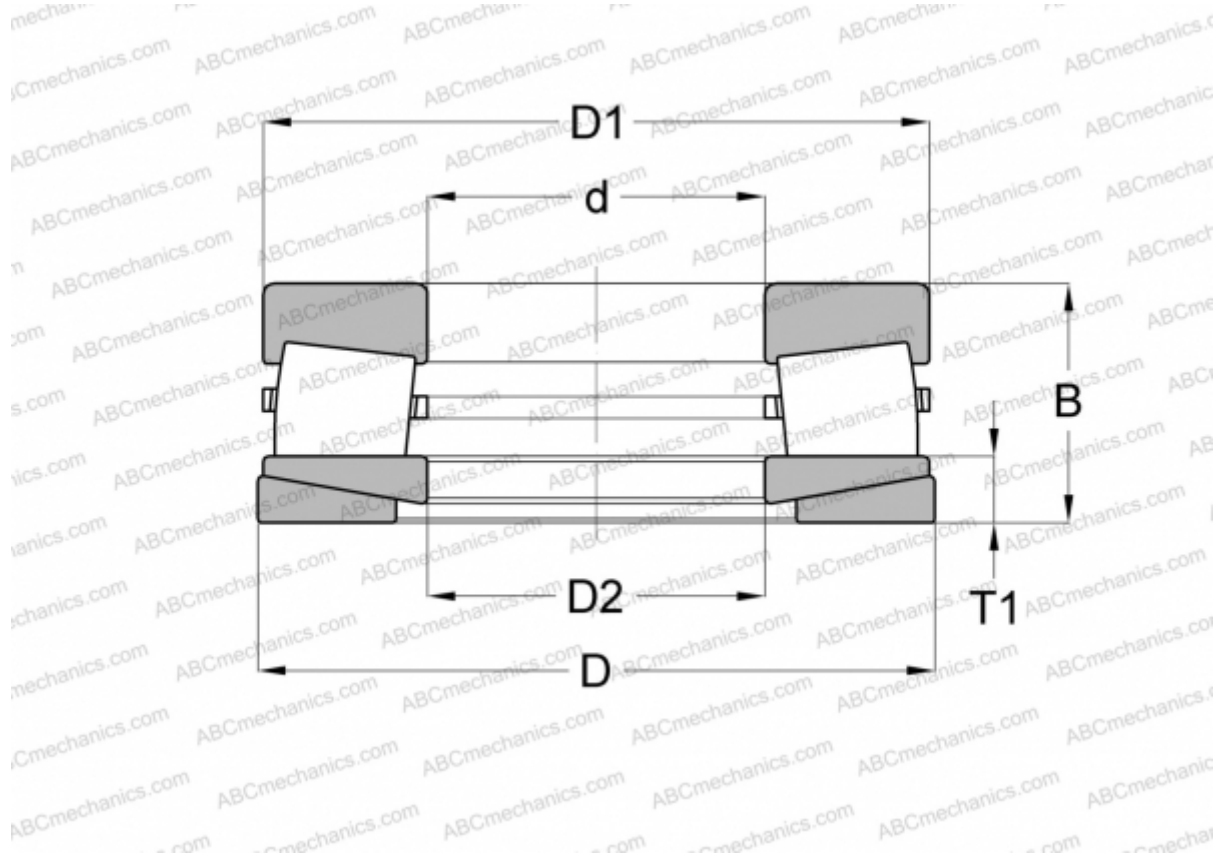


N-2827-G TIMKEN

TYPE: Roller bearings, Tapered, Thrust, Type TTVS, self-aligning with stop rings



Technical specification

DIMENSIONS, MM

d	355,600
D	660,400
D1	657,220
D2	358,780
B	254,000
T1	76,200

WEIGHT, KG 483,000

MANUFACTURER [TIMKEN](#)