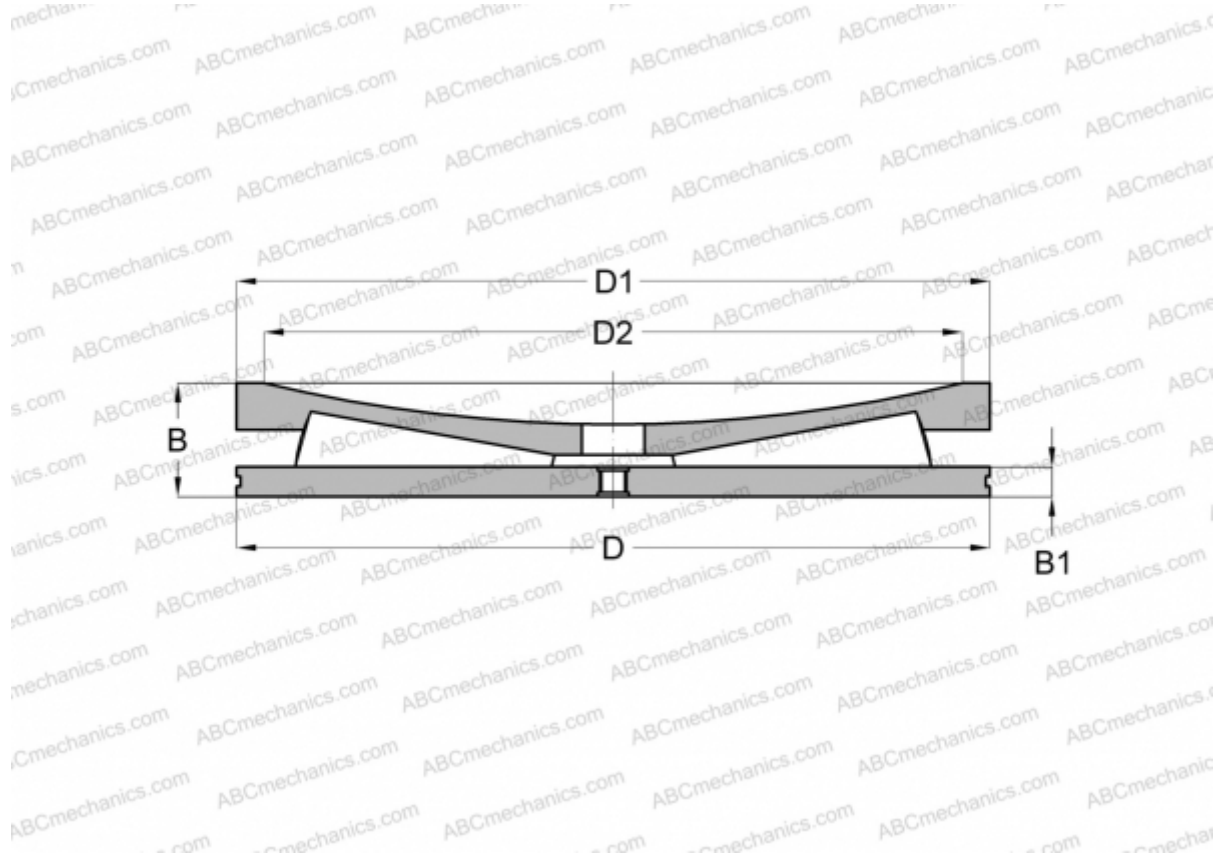


527805 FAG

TYPE: Roller bearings, Tapered, Thrust, For screw down mechanisms, design 1 (FAG)



Technical specification

DIMENSIONS, MM

D	551,690
D1	539,750
D2	406,400
B	158,750
B1	25,400

WEIGHT, KG 260,000

MANUFACTURER [FAG](#)