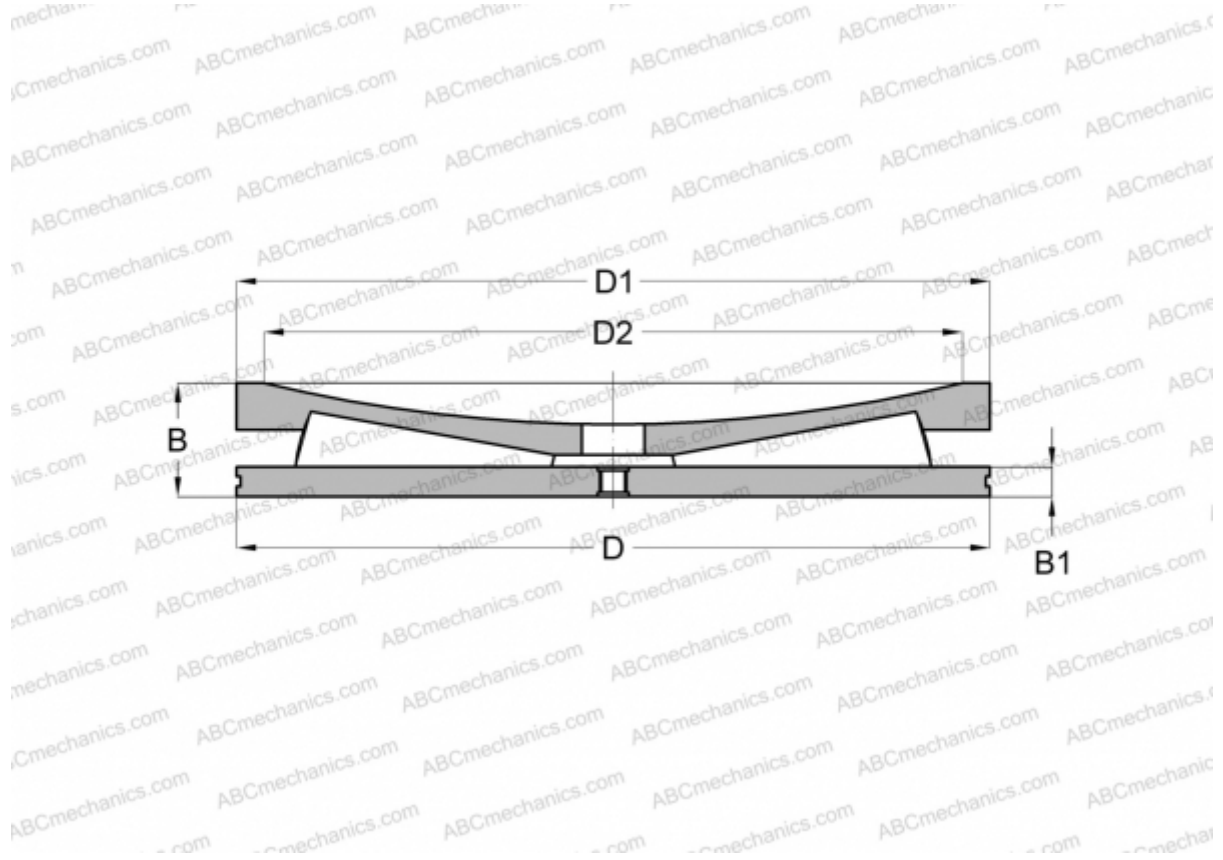


## 527795 FAG

TYPE: Roller bearings, Tapered, Thrust, For screw down mechanisms, design 1 (FAG)



### Technical specification

#### DIMENSIONS, MM

D	555,630
D1	553,260
D2	482,600
B	165,100
B1	38,100

**WEIGHT, KG** 274,000

**MANUFACTURER** [FAG](#)