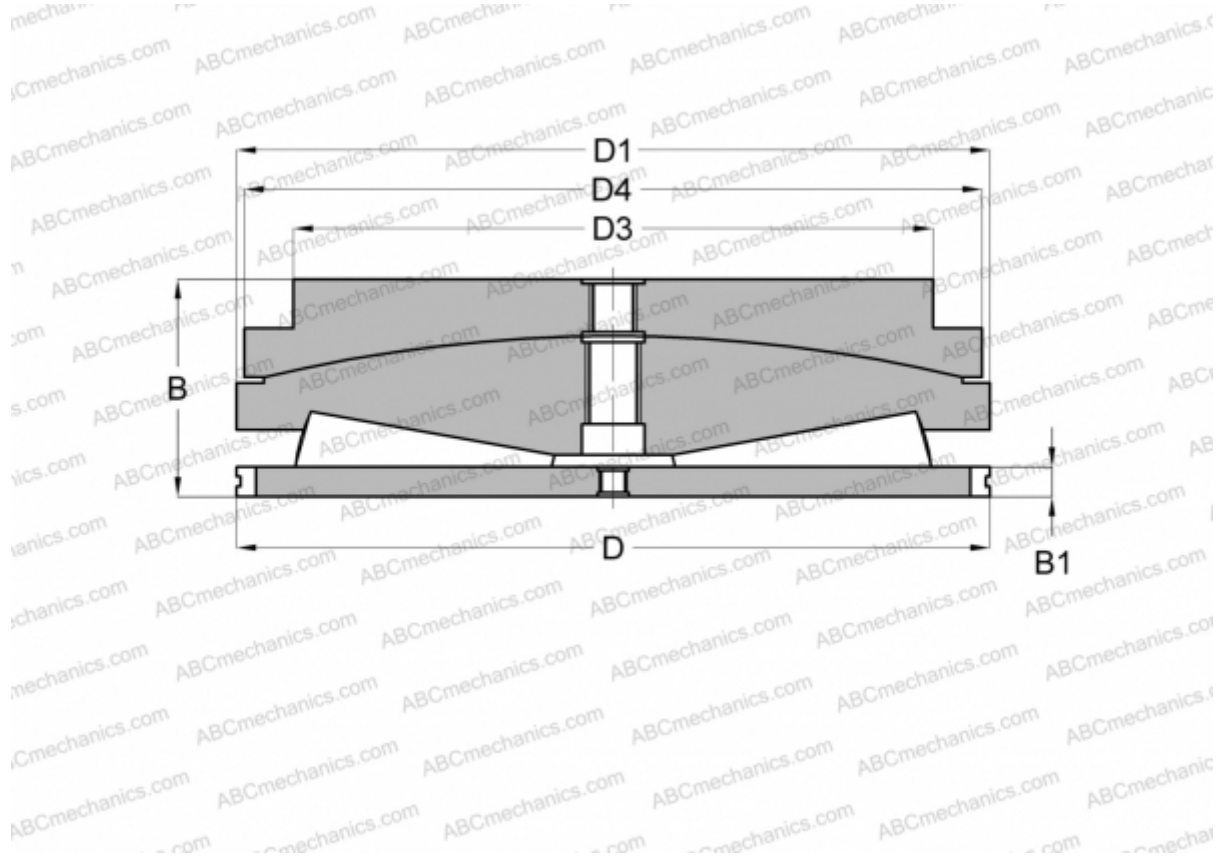


## 566306 FAG

TYPE: Roller bearings, Tapered, Thrust, For screw down mechanisms, design 3 (FAG)



### Technical specification

#### DIMENSIONS, MM

D	533,400
D1	533,400
D3	416,000
D4	530,000
B	237,800
B1	31,750

**WEIGHT, KG** 373,000

**MANUFACTURER** [FAG](#)