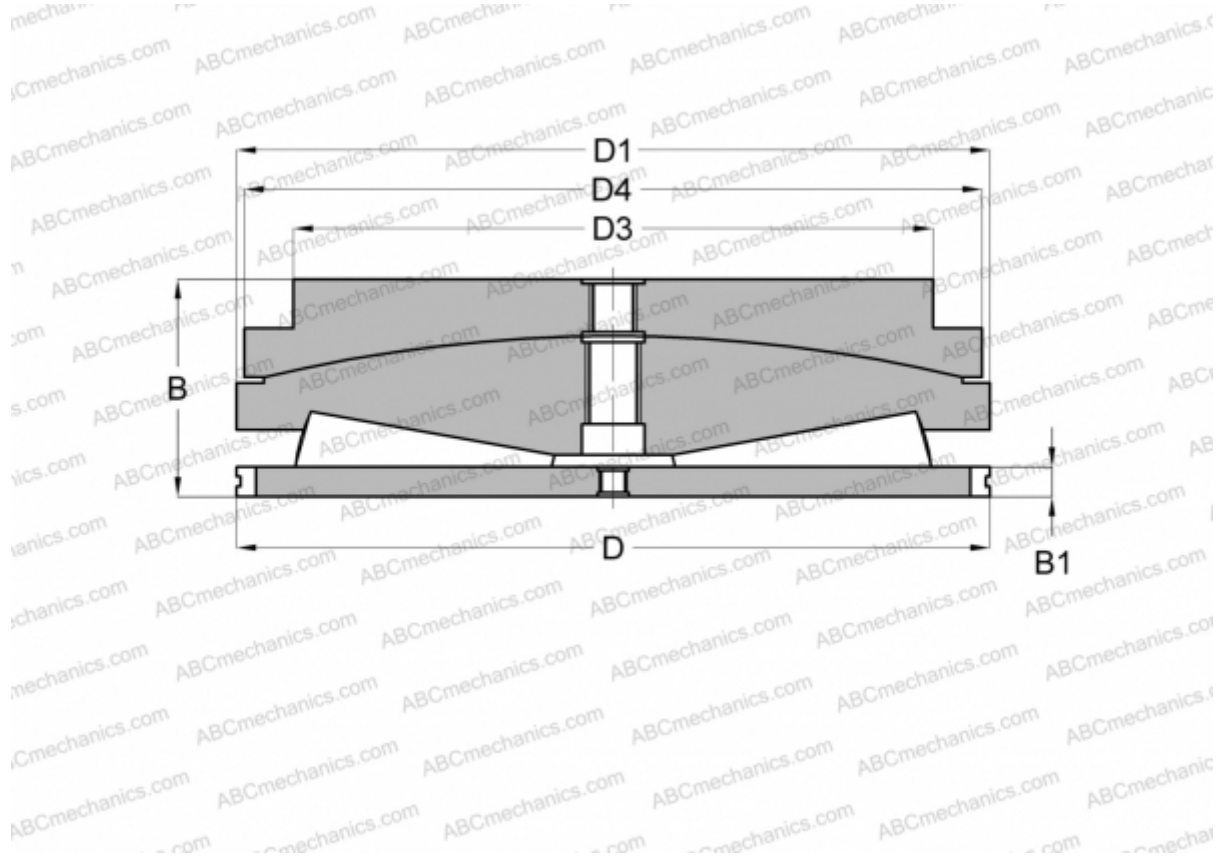


## 578367A FAG

TYPE: Roller bearings, Tapered, Thrust, For screw down mechanisms, design 3 (FAG)



### Technical specification

#### DIMENSIONS, MM

D	641,350
D1	638,990
D3	560,000
D4	635,000
B	260,000
B1	38,100

**WEIGHT, KG** 565,000

**MANUFACTURER** [FAG](#)