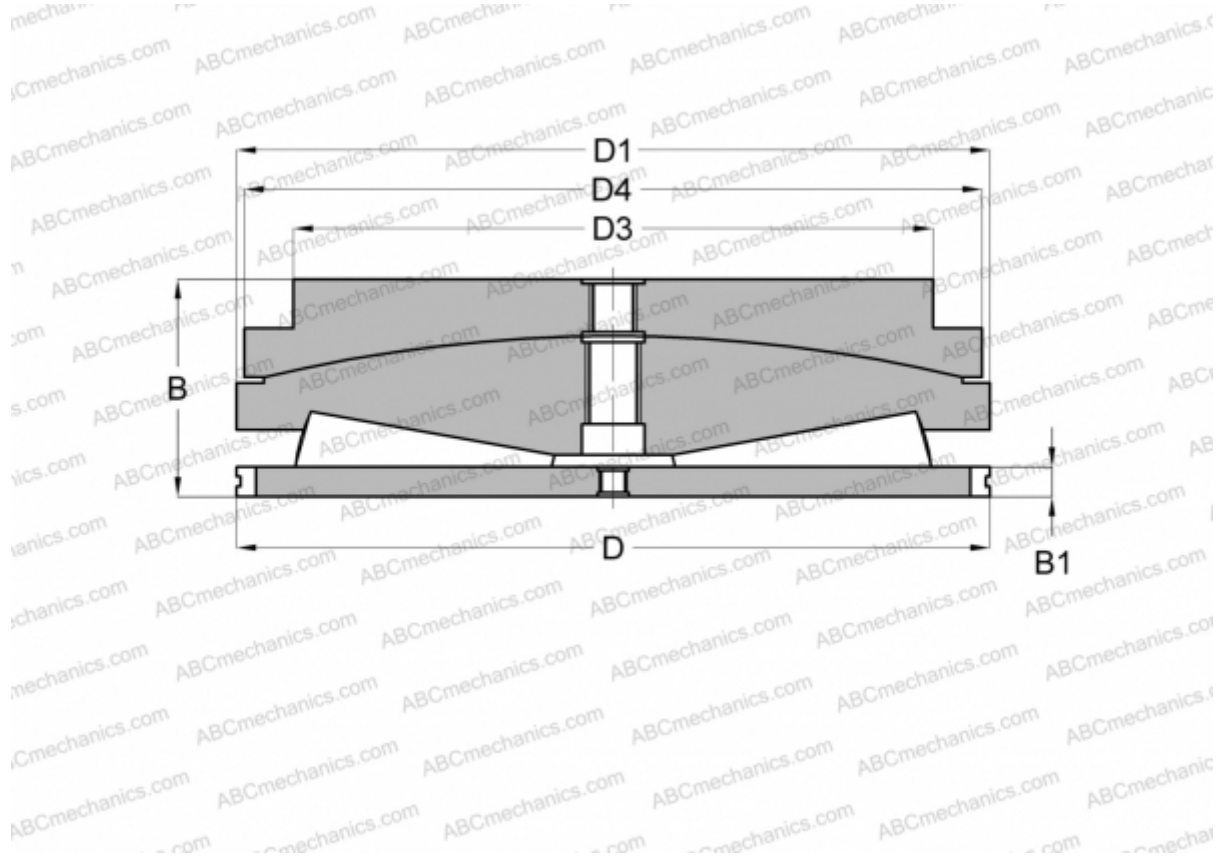


## 543242V FAG

TYPE: Roller bearings, Tapered, Thrust, For screw down mechanisms, design 3 (FAG)



### Technical specification

#### DIMENSIONS, MM

D	920,000
D1	920,000
D3	768,000
D4	915,000
B	370,000
B1	70,000

**WEIGHT, KG** 1670,000

**MANUFACTURER** [FAG](#)