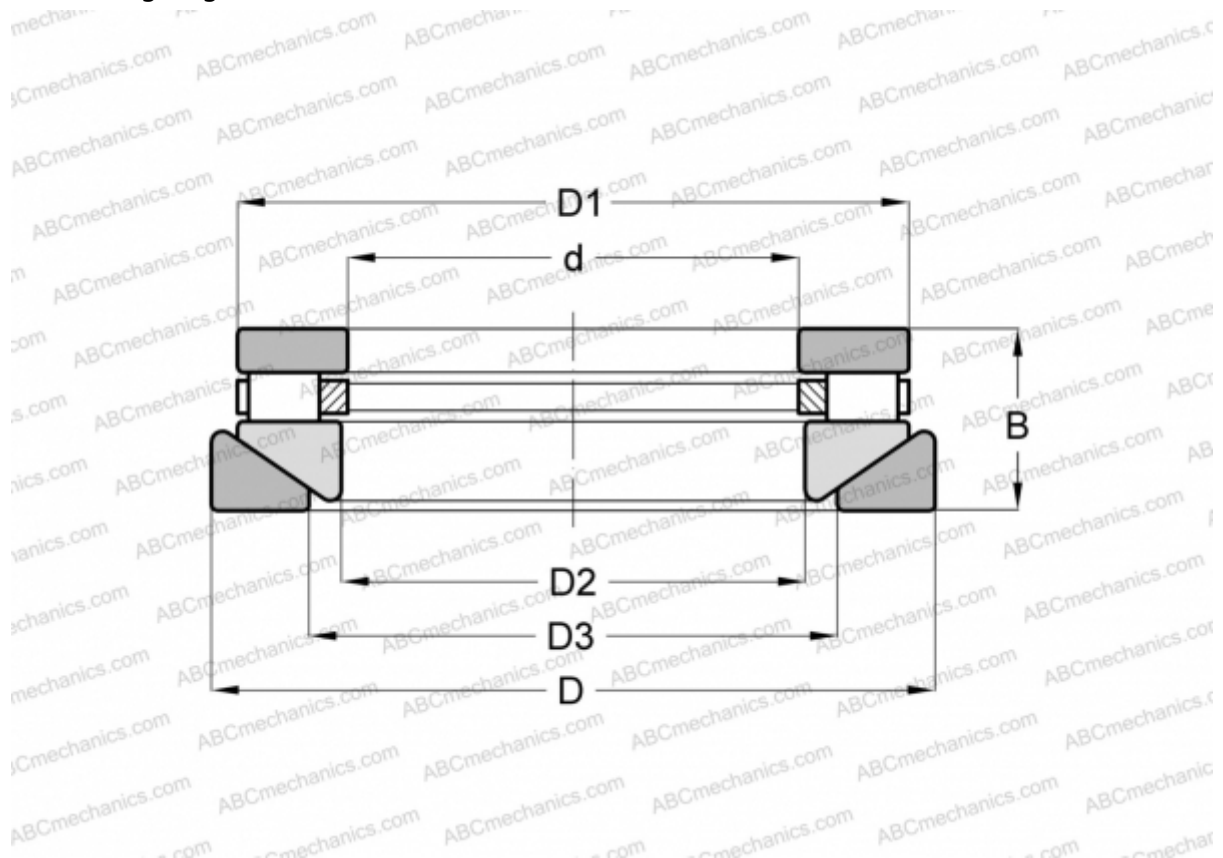


AT-602 ROLLWAY

Cylindrical roller thrust bearings

TYPE: Roller bearings, Thrust roller bearing, Cylindrical, Single direction, separable, cylindrical rollers, inch sizes, self-aligning



Technical specification

DIMENSIONS, MM

| | |
|----|--------|
| d | 26,988 |
| D | 57,150 |
| D1 | 50,800 |
| D2 | 28,702 |
| D3 | 33,338 |
| B | 26,988 |

WEIGHT, KG 0,318

MANUFACTURER [ROLLWAY](#)

INTERCHANGE

| | |
|---------|--------------------------|
| ANDREWS | RTWM-602 |
| INA | RTW-602 |