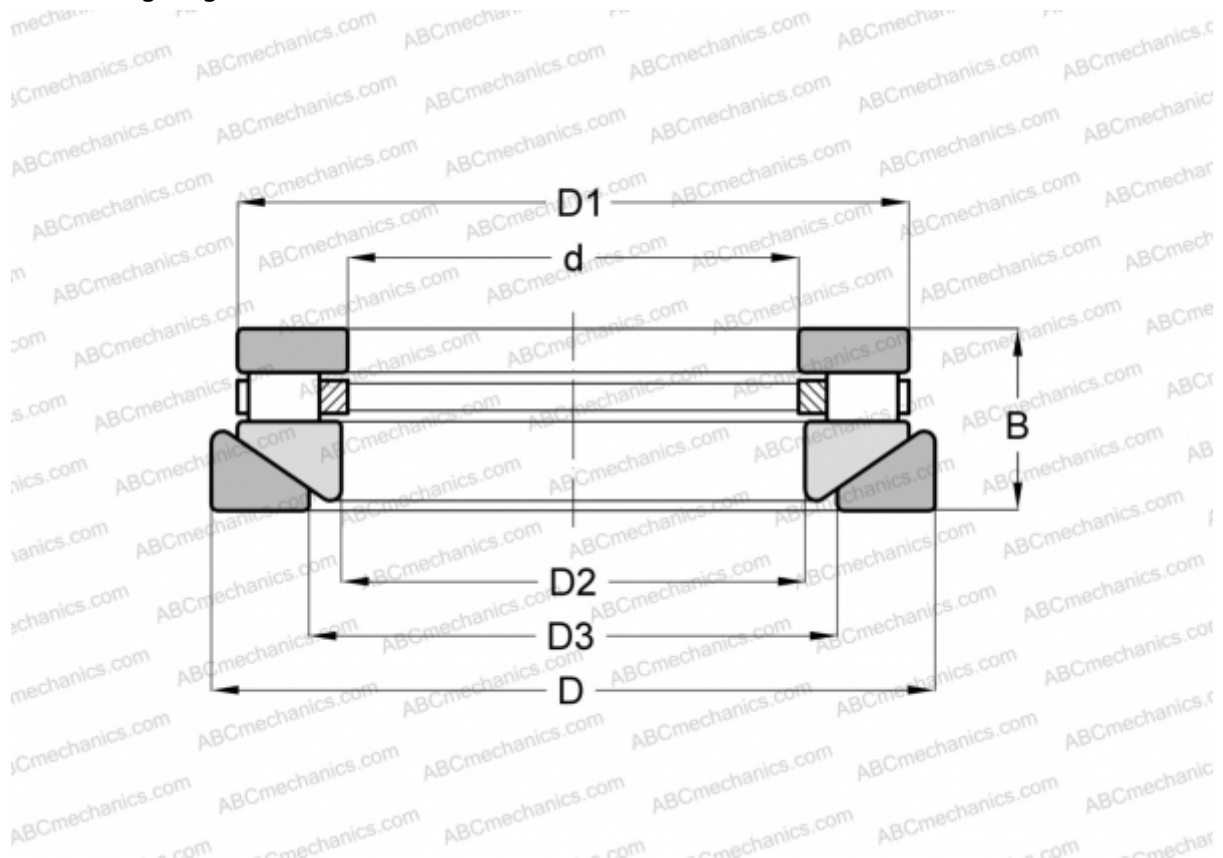


## RTW-605 INA

Cylindrical roller thrust bearings

TYPE: Roller bearings, Thrust roller bearing, Cylindrical, Single direction, separable, cylindrical rollers, inch sizes, self-aligning



### Technical specification

#### DIMENSIONS, MM

|    |        |
|----|--------|
| d  | 31,750 |
| D  | 63,500 |
| D1 | 58,738 |
| D2 | 34,925 |
| D3 | 38,100 |
| B  | 26,988 |

**WEIGHT, KG** 0,363

**MANUFACTURER** [INA](#)

#### INTERCHANGE

|         |                          |
|---------|--------------------------|
| ROLLWAY | <a href="#">AT-605</a>   |
| ANDREWS | <a href="#">RTWM-605</a> |