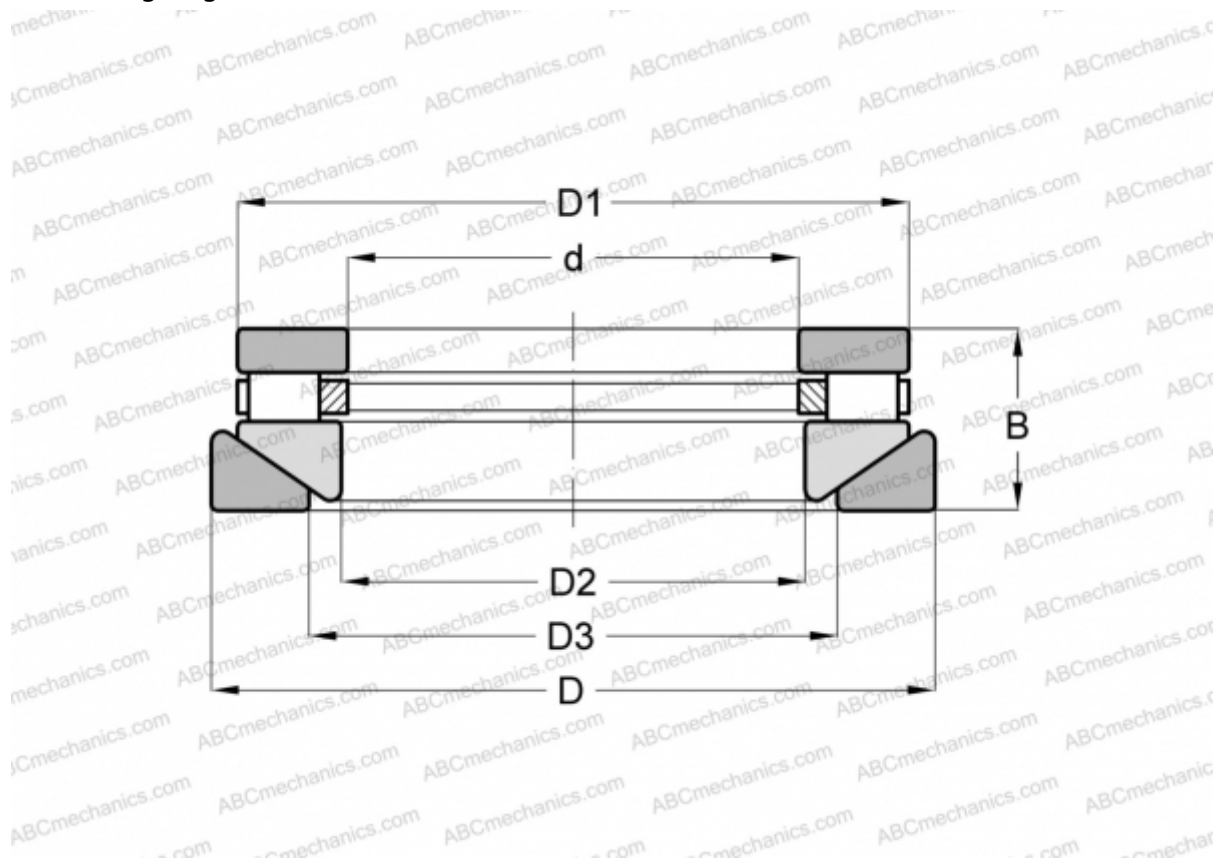


RTW-621 INA

Cylindrical roller thrust bearings

TYPE: Roller bearings, Thrust roller bearing, Cylindrical, Single direction, separable, cylindrical rollers, inch sizes, self-aligning



Technical specification

DIMENSIONS, MM

d	63,500
D	107,950
D1	101,600
D2	65,088
D3	73,025
B	33,338

WEIGHT, KG 1,225

MANUFACTURER [INA](#)

INTERCHANGE

ROLLWAY [AT-621](#)
 ANDREWS [RTWM-621](#)