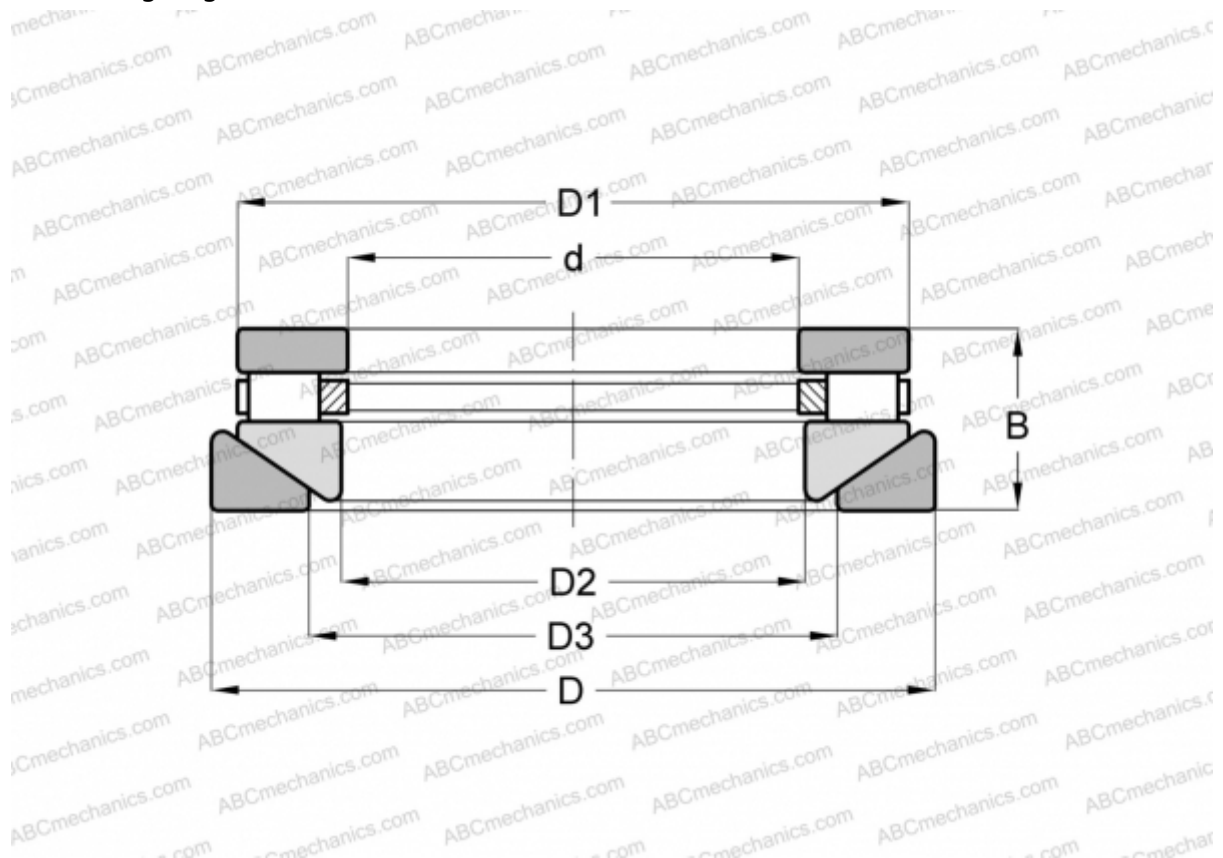


## RTW-622 INA

Cylindrical roller thrust bearings

TYPE: Roller bearings, Thrust roller bearing, Cylindrical, Single direction, separable, cylindrical rollers, inch sizes, self-aligning



### Technical specification

#### DIMENSIONS, MM

d	66,675
D	115,062
D1	107,155
D2	68,263
D3	79,375
B	33,338

**WEIGHT, KG** 1,361

**MANUFACTURER** [INA](#)

#### INTERCHANGE

ROLLWAY	<a href="#">AT-622</a>
ANDREWS	<a href="#">RTWM-622</a>