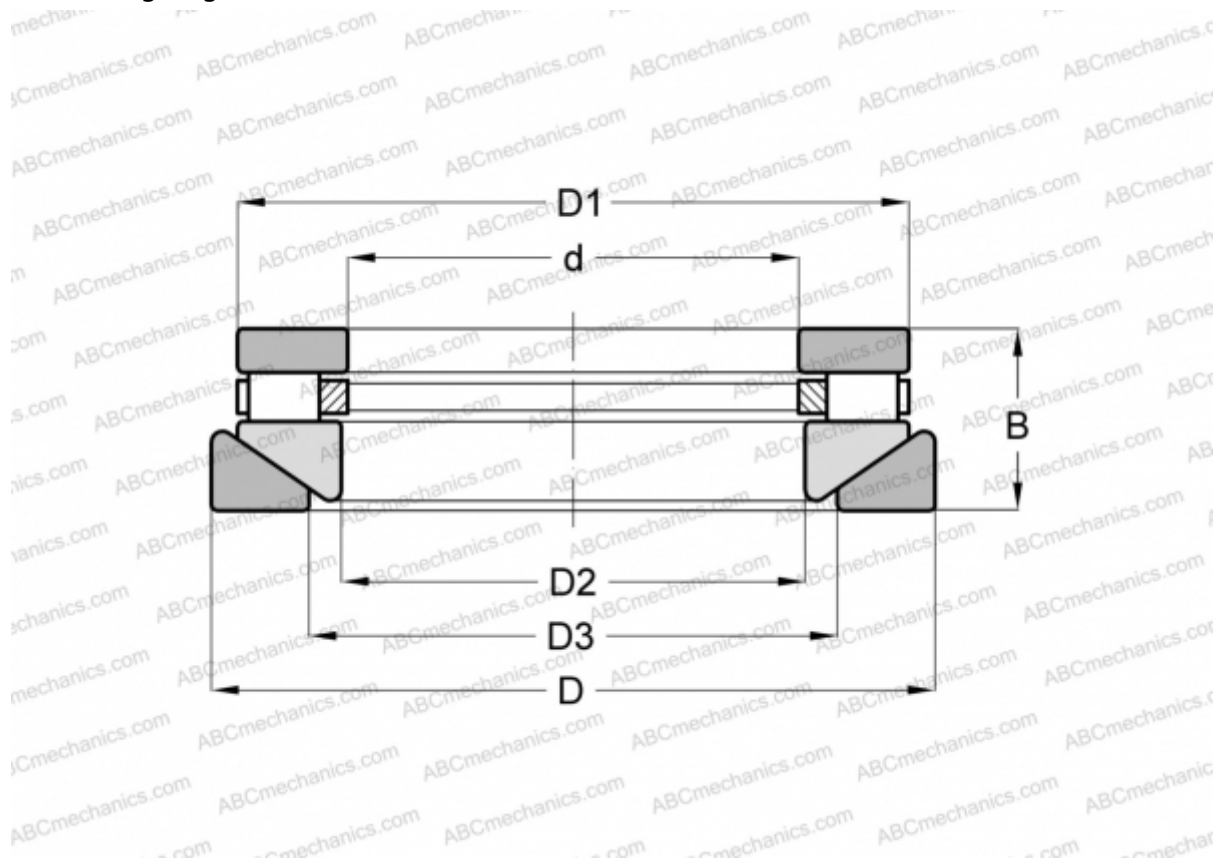


RTW-624 INA

Cylindrical roller thrust bearings

TYPE: Roller bearings, Thrust roller bearing, Cylindrical, Single direction, separable, cylindrical rollers, inch sizes, self-aligning



Technical specification

DIMENSIONS, MM

| | |
|----|---------|
| d | 76,200 |
| D | 126,205 |
| D1 | 116,680 |
| D2 | 77,788 |
| D3 | 88,900 |
| B | 33,338 |

WEIGHT, KG 1,542

MANUFACTURER [INA](#)

INTERCHANGE

| | |
|---------|--------------------------|
| ROLLWAY | AT-624 |
| ANDREWS | RTWM-624 |