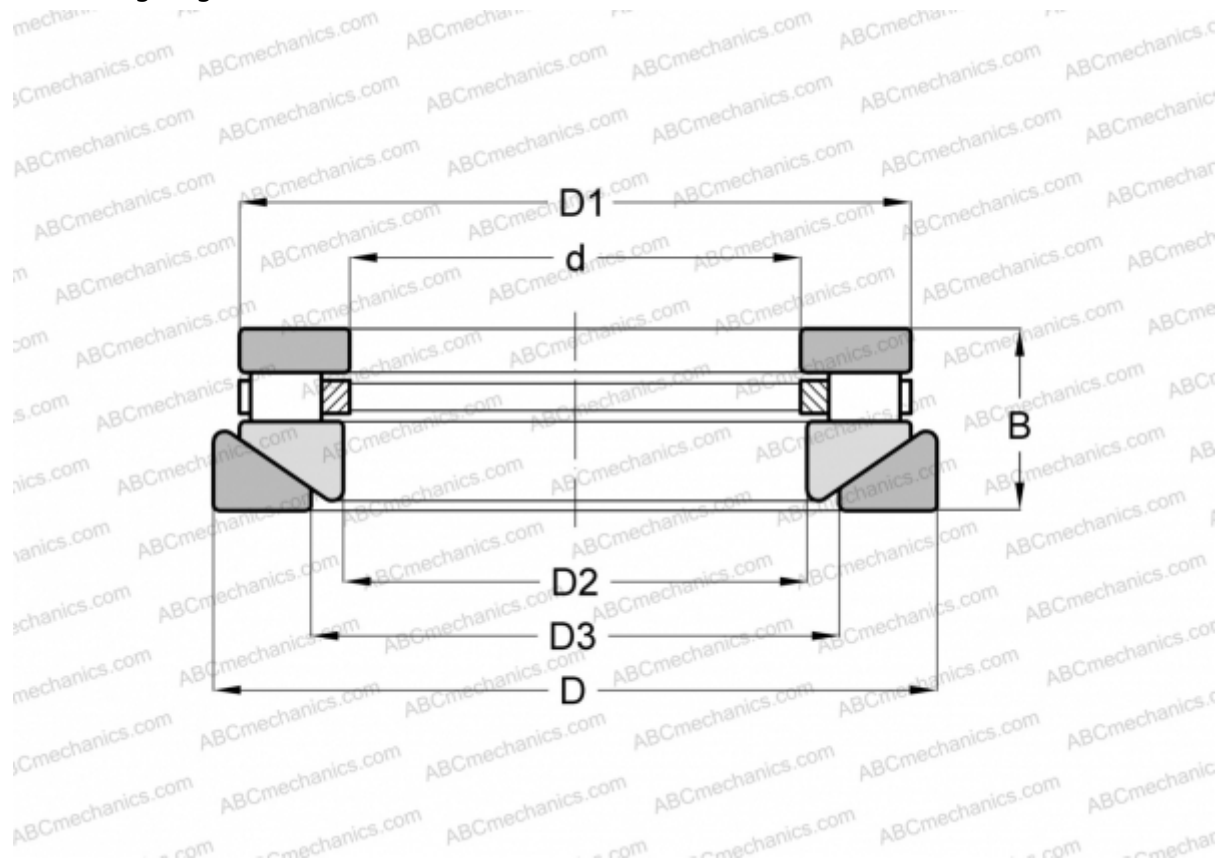


RTWM-626 ANDREWS

Cylindrical roller thrust bearings

TYPE: Roller bearings, Thrust roller bearing, Cylindrical, Single direction, separable, cylindrical rollers, inch sizes, self-aligning



Technical specification

DIMENSIONS, MM

d	88,900
D	138,905
D1	130,967
D2	91,280
D3	103,188
B	33,338

WEIGHT, KG 1,724

MANUFACTURER [ANDREWS](#)

INTERCHANGE

ROLLWAY	AT-626
INA	RTW-626
TORRINGTON	35 TPS 113