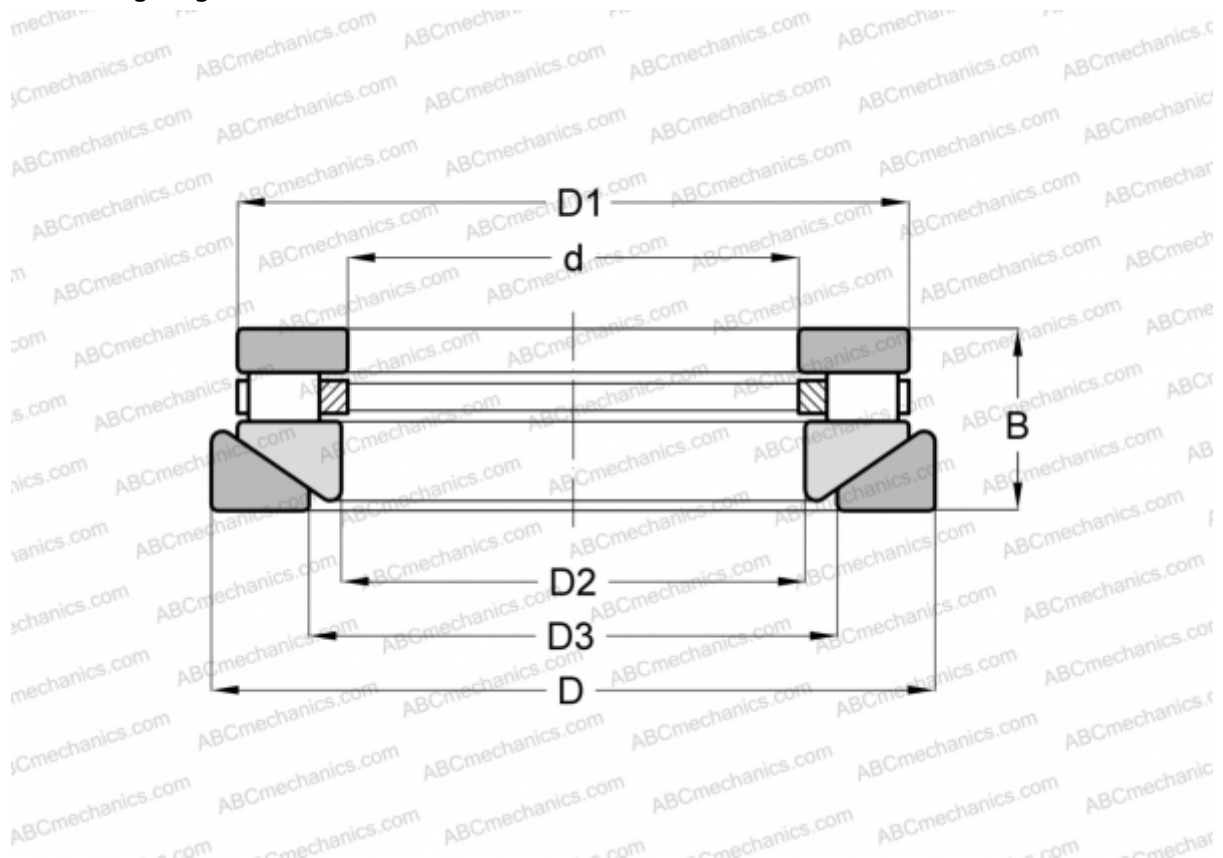


## RTW-736 INA

Cylindrical roller thrust bearings

TYPE: Roller bearings, Thrust roller bearing, Cylindrical, Single direction, separable, cylindrical rollers, inch sizes, self-aligning



### Technical specification

#### DIMENSIONS, MM

d	101,600
D	238,125
D1	227,012
D2	103,980
D3	149,225
B	58,738

**WEIGHT, KG** 13,608

**MANUFACTURER** [INA](#)

#### INTERCHANGE

ROLLWAY	<a href="#">AT-736</a>
ANDREWS	<a href="#">RTWH-736</a>
TORRINGTON	<a href="#">40 TPS 116</a>