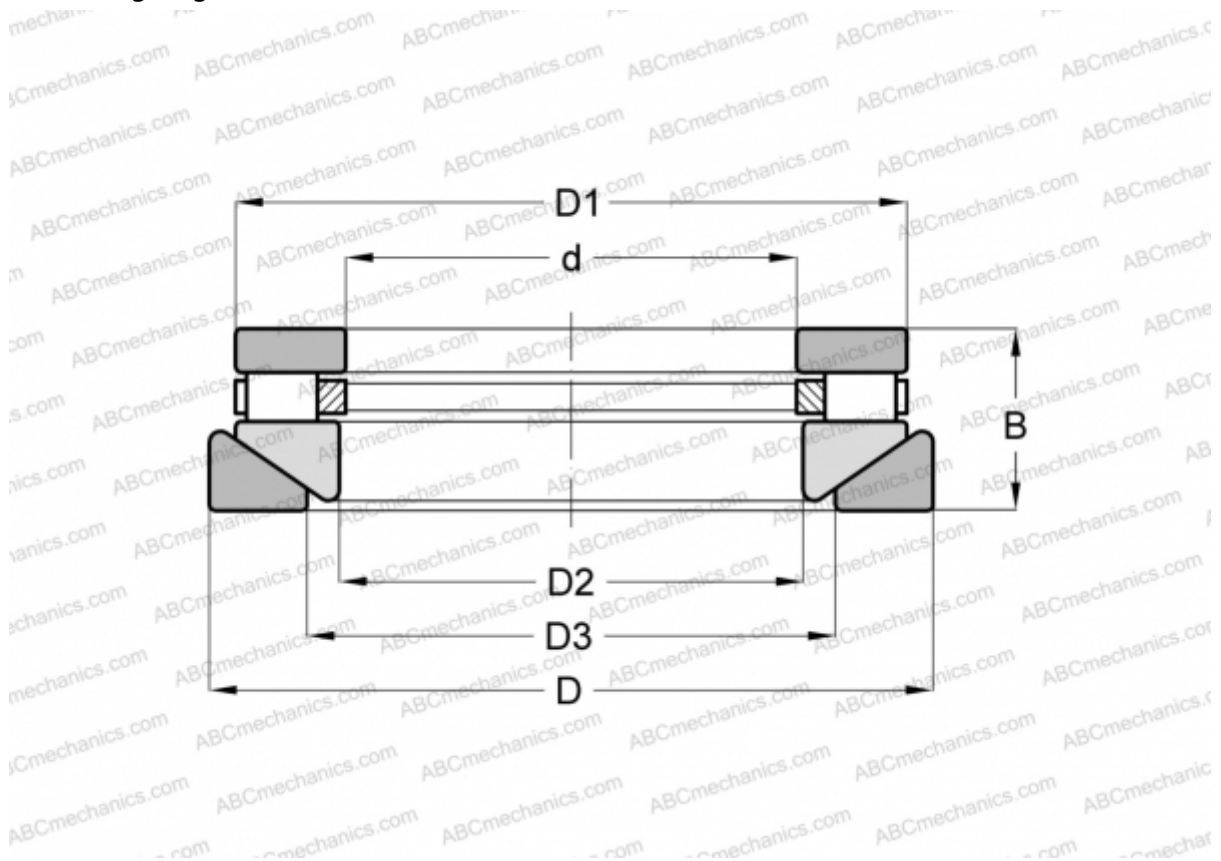


## RTWH-739 ANDREWS

Cylindrical roller thrust bearings

TYPE: Roller bearings, Thrust roller bearing, Cylindrical, Single direction, separable, cylindrical rollers, inch sizes, self-aligning



### Technical specification

#### DIMENSIONS, MM

|    |         |
|----|---------|
| d  | 127,000 |
| D  | 241,300 |
| D1 | 227,012 |
| D2 | 130,175 |
| D3 | 155,575 |
| B  | 58,738  |

**WEIGHT, KG** 11,793

**MANUFACTURER** [ANDREWS](#)

#### INTERCHANGE

|            |                            |
|------------|----------------------------|
| ROLLWAY    | <a href="#">AT-739</a>     |
| INA        | <a href="#">RTW-739</a>    |
| TORRINGTON | <a href="#">50 TPS 120</a> |