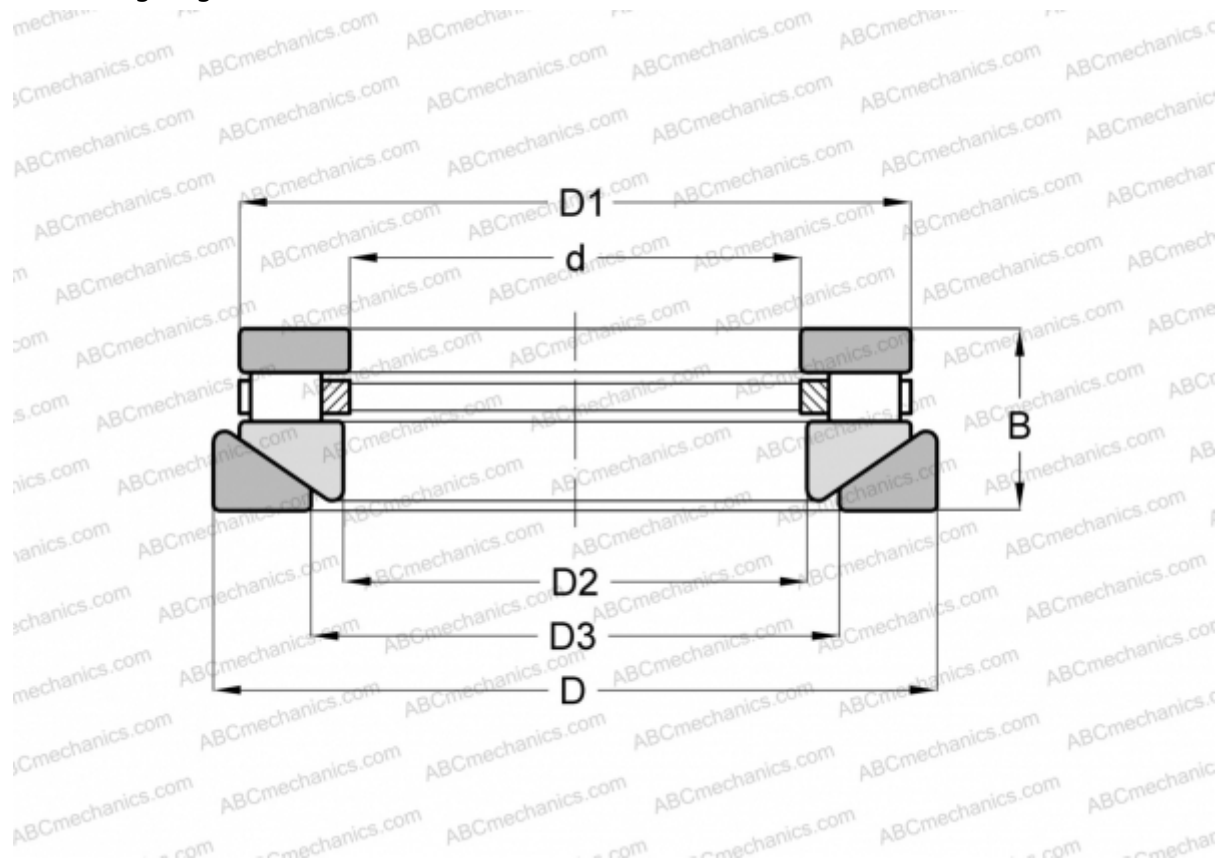


## AT-740 ROLLWAY

Cylindrical roller thrust bearings

TYPE: Roller bearings, Thrust roller bearing, Cylindrical, Single direction, separable, cylindrical rollers, inch sizes, self-aligning



### Technical specification

#### DIMENSIONS, MM

d	127,000
D	266,700
D1	252,413
D2	130,175
D3	158,750
B	66,675

**WEIGHT, KG** 17,690

**MANUFACTURER** [ROLLWAY](#)

#### INTERCHANGE

ANDREWS	<a href="#">RTWH-740</a>
INA	<a href="#">RTW-740</a>
TORRINGTON	<a href="#">50 TPS 121</a>