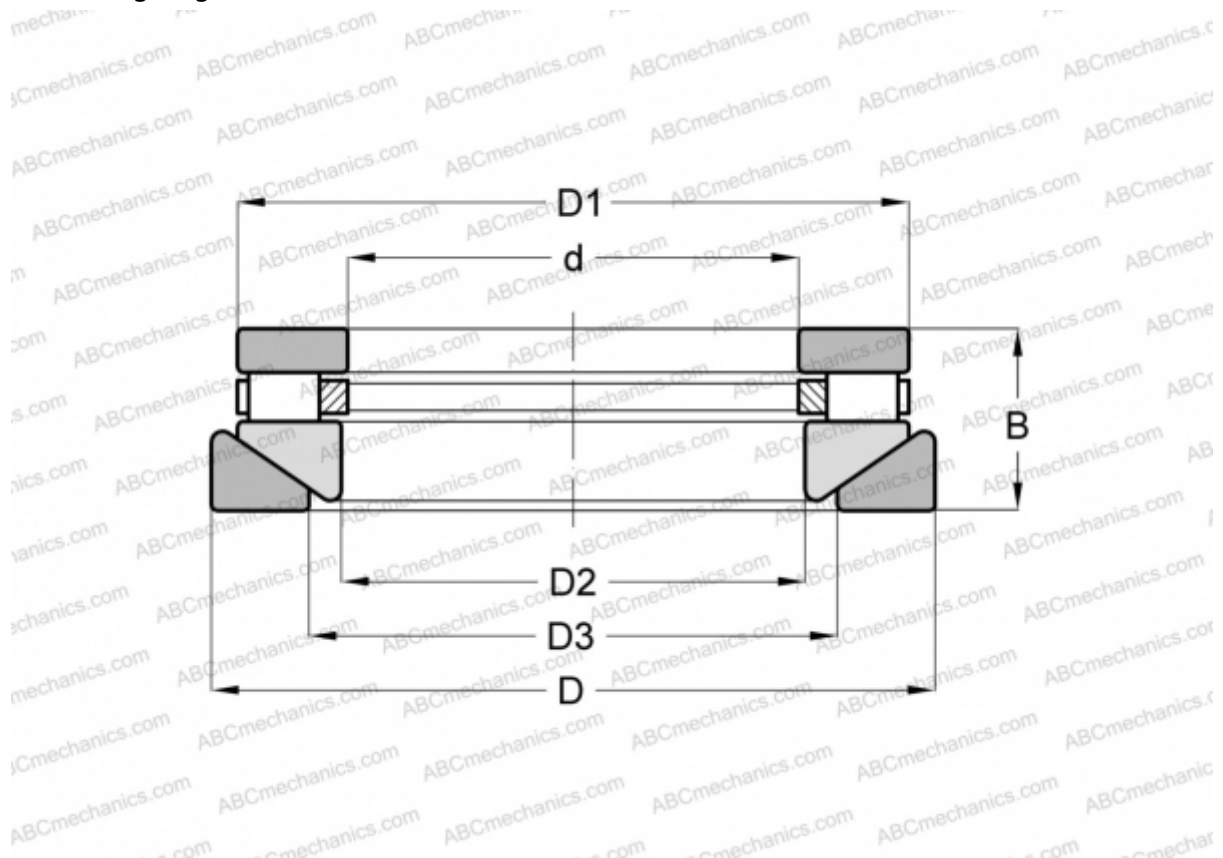


## RTWH-750 ANDREWS

Cylindrical roller thrust bearings

TYPE: Roller bearings, Thrust roller bearing, Cylindrical, Single direction, separable, cylindrical rollers, inch sizes, self-aligning



### Technical specification

#### DIMENSIONS, MM

d	177,800
D	374,650
D1	353,238
D2	182,562
D3	228,600
B	101,600

**WEIGHT, KG** 53,524

**MANUFACTURER** [ANDREWS](#)

#### INTERCHANGE

ROLLWAY	<a href="#">AT-750</a>
INA	<a href="#">RTW-750</a>
TORRINGTON	<a href="#">70 TPS 132</a>