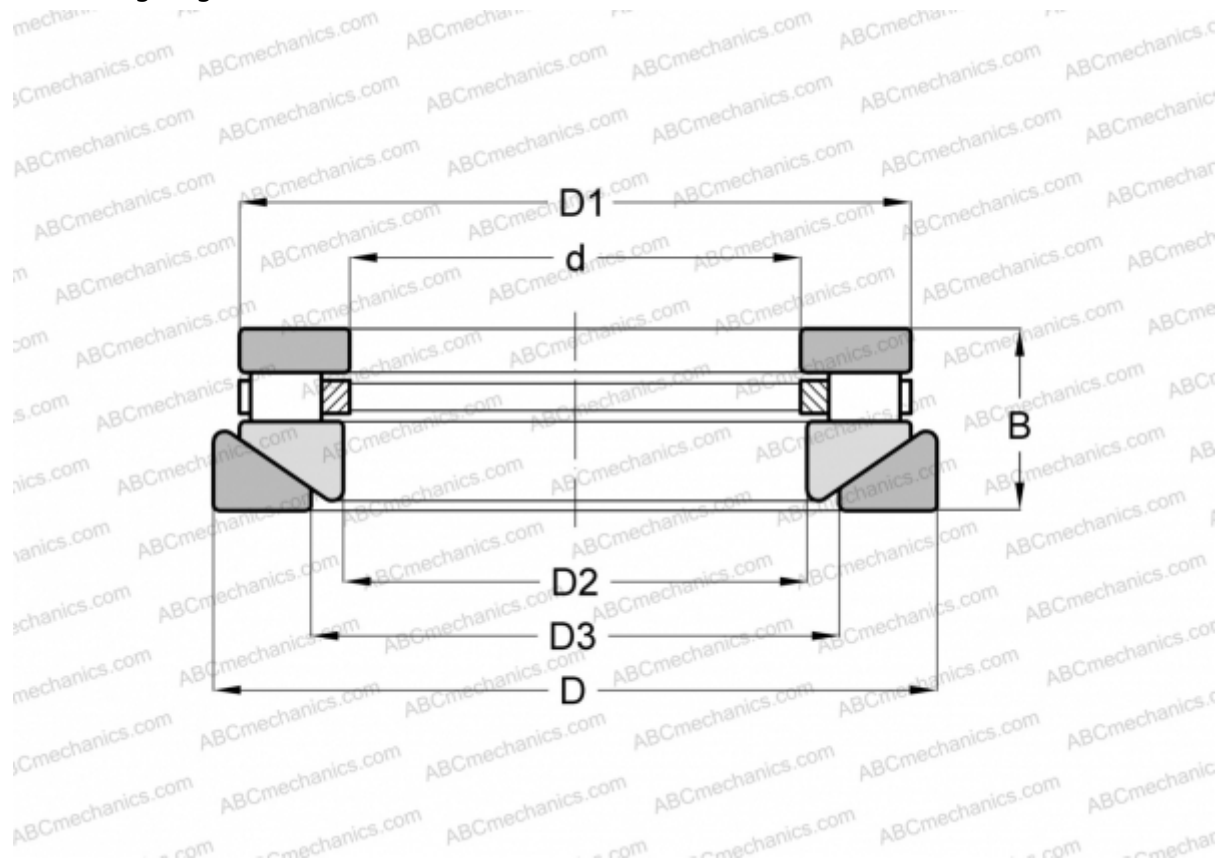


RTW-750 INA

Cylindrical roller thrust bearings

TYPE: Roller bearings, Thrust roller bearing, Cylindrical, Single direction, separable, cylindrical rollers, inch sizes, self-aligning



Technical specification

DIMENSIONS, MM

d	177,800
D	374,650
D1	353,238
D2	182,562
D3	228,600
B	101,600

WEIGHT, KG 53,524

MANUFACTURER [INA](#)

INTERCHANGE

ROLLWAY	AT-750
ANDREWS	RTWH-750
TORRINGTON	70 TPS 132