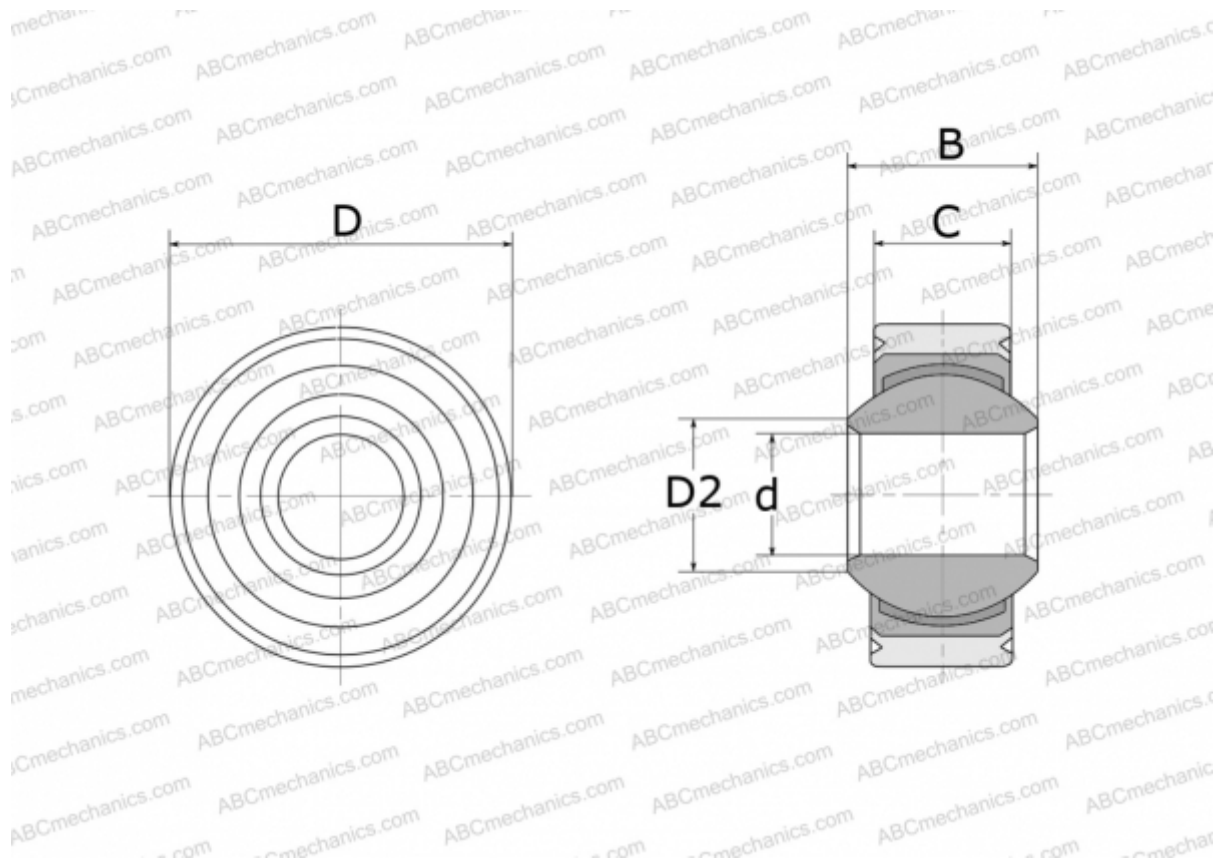


GLRSW 10 FLURO

Spherical plain bearings

TYPE: Plain bearings, Spherical plain bearings and rod ends, Radial spherical plain bearings, Maintenance free, Series GLRSW (FLURO), corrosion-resistant



Technical specification

DIMENSIONS, MM

d	10,000
D	26,000
D2	12,900
B	14,000
C	10,500

WEIGHT, KG 0,038

MANUFACTURER [FLURO](#)