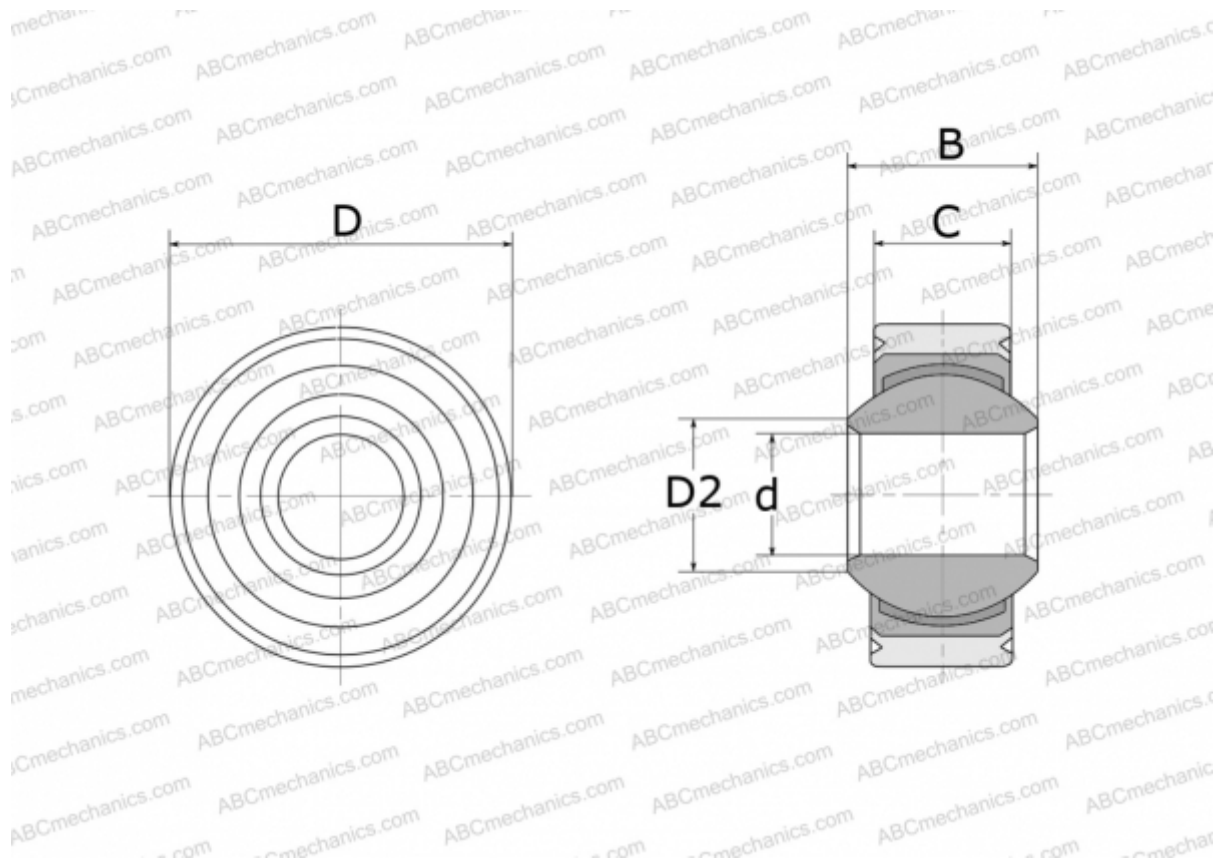


## GLRSW 18 FLURO

Spherical plain bearings

TYPE: Plain bearings, Spherical plain bearings and rod ends, Radial spherical plain bearings, Maintenance free, Series GLRSW (FLURO), corrosion-resistant



### Technical specification

#### DIMENSIONS, MM

d	18,000
D	42,000
D2	21,800
B	23,000
C	16,500

**WEIGHT, KG** 0,150

**MANUFACTURER** [FLURO](#)