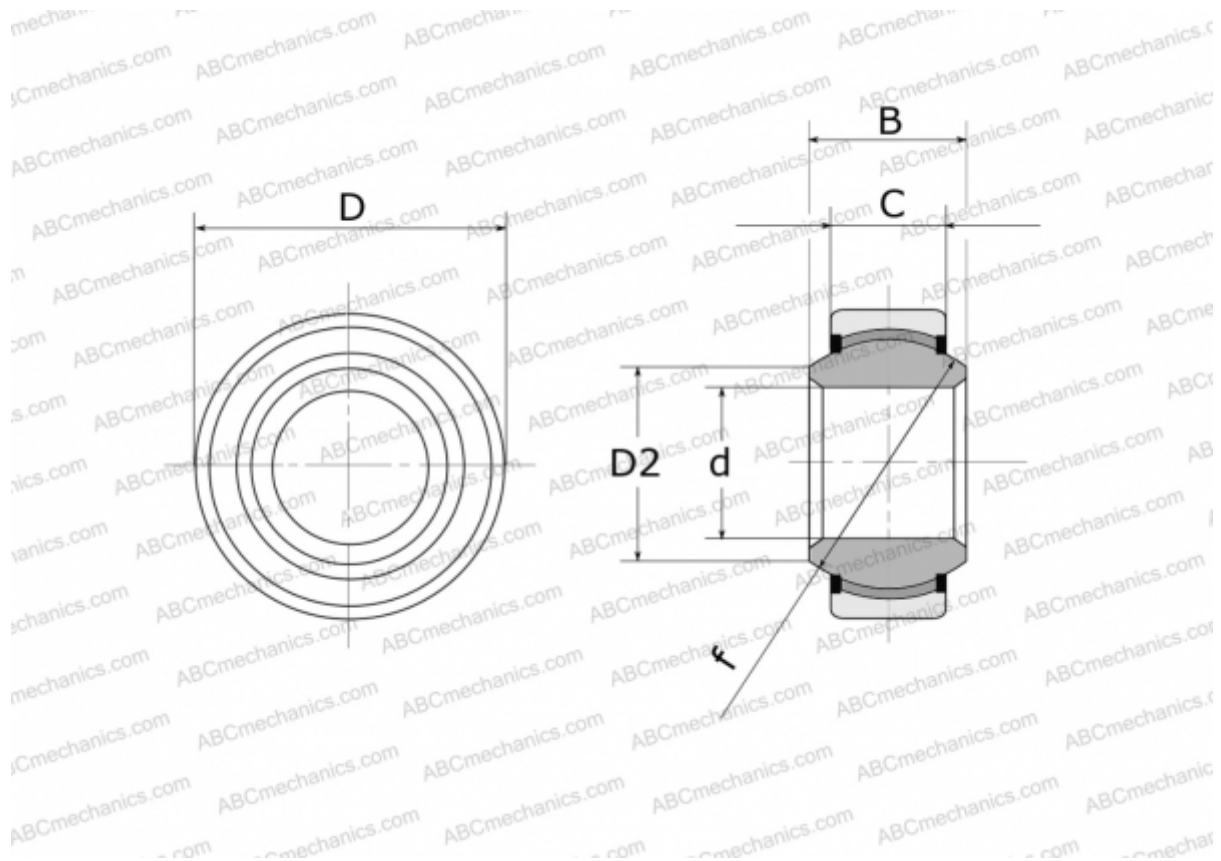


GE 40 EC-2RS FLURO

Spherical plain bearings

TYPE: Plain bearings, Spherical plain bearings and rod ends, Radial spherical plain bearings, Maintenance free, Series GE..EC-2RS (FLURO), contact seals on both side



Technical specification

DIMENSIONS, MM

d	40,000
D	62,000
D2	45,000
B	28,000
f	53,000
C	22,000

WEIGHT, KG 0,318

MANUFACTURER [FLURO](#)