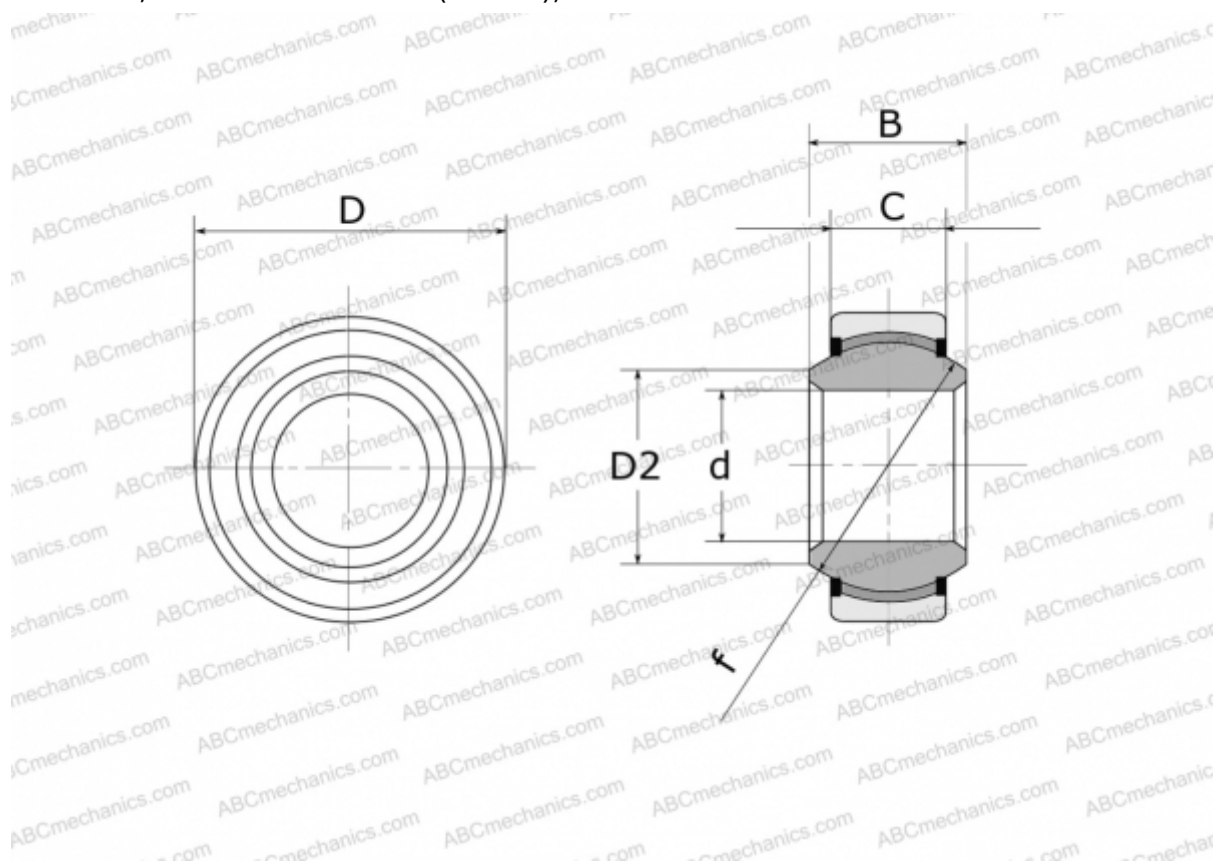


GE 17 FW-2RS FLURO

Spherical plain bearings

TYPE: Plain bearings, Spherical plain bearings and rod ends, Radial spherical plain bearings, Maintenance free, Series GE..-FW-2RS (FLURO), contact seals on both side



Technical specification

DIMENSIONS, MM

d	17,000
D	35,000
D2	21,000
B	20,000
f	29,000
C	12,000

WEIGHT, KG 0,083

MANUFACTURER [FLURO](#)