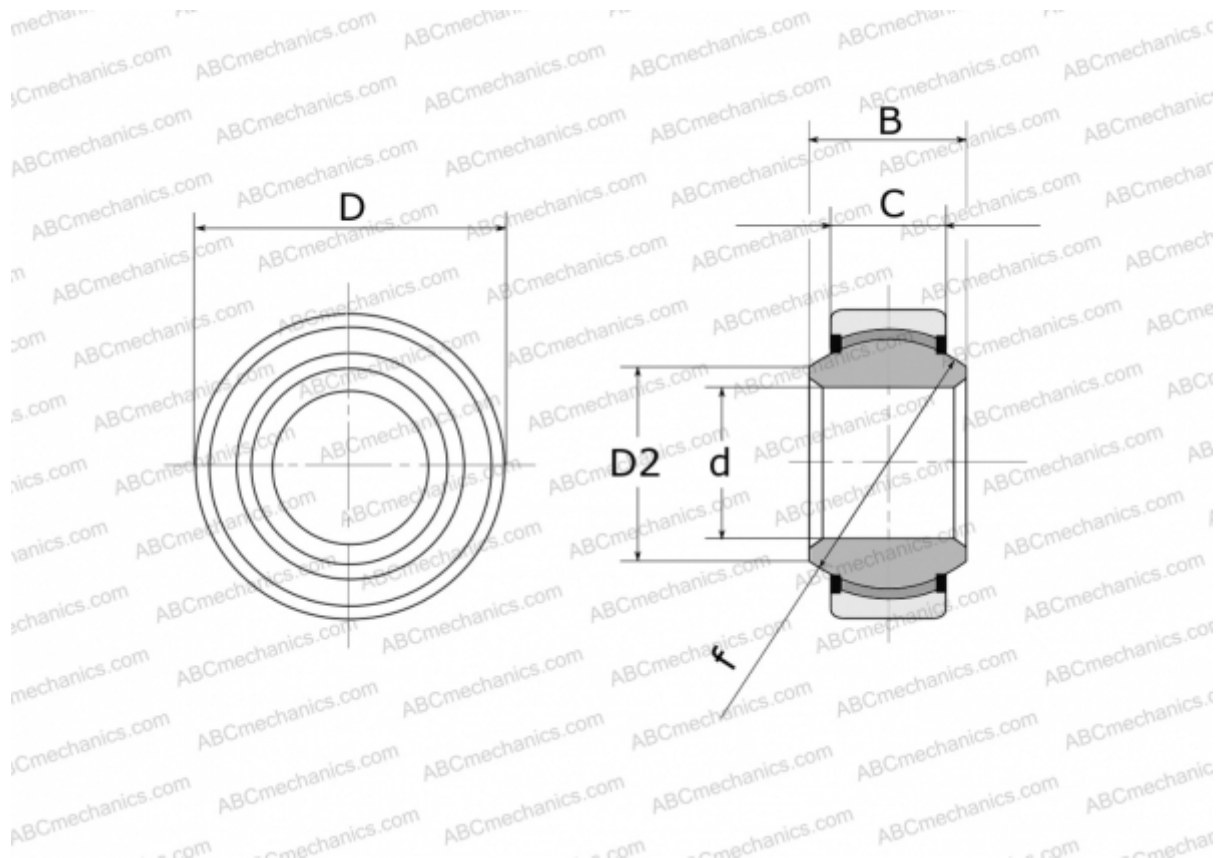


## GE 40 FW-2RS FLURO

Spherical plain bearings

TYPE: Plain bearings, Spherical plain bearings and rod ends, Radial spherical plain bearings, Maintenance free, Series GE..-FW-2RS (FLURO), contact seals on both side



### Technical specification

#### DIMENSIONS, MM

|    |        |
|----|--------|
| d  | 40,000 |
| D  | 68,000 |
| D2 | 44,700 |
| B  | 40,000 |
| f  | 60,000 |
| C  | 25,000 |

**WEIGHT, KG** 0,542

**MANUFACTURER** [FLURO](#)