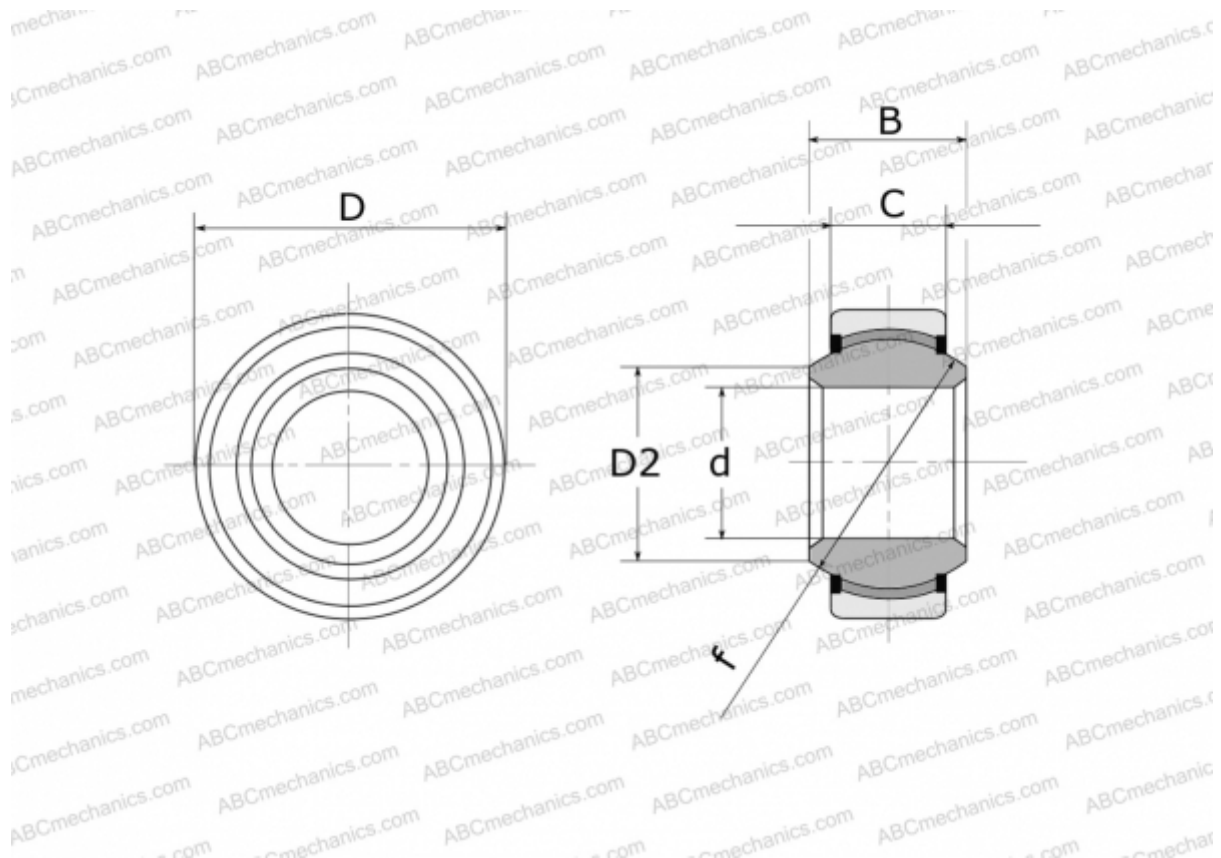


GE 50 FW-2RS FLURO

Spherical plain bearings

TYPE: Plain bearings, Spherical plain bearings and rod ends, Radial spherical plain bearings, Maintenance free, Series GE..-FW-2RS (FLURO), contact seals on both side



Technical specification

DIMENSIONS, MM

| | |
|----|--------|
| d | 50,000 |
| D | 90,000 |
| D2 | 57,100 |
| B | 56,000 |
| f | 80,000 |
| C | 36,000 |

WEIGHT, KG 1,420

MANUFACTURER [FLURO](#)