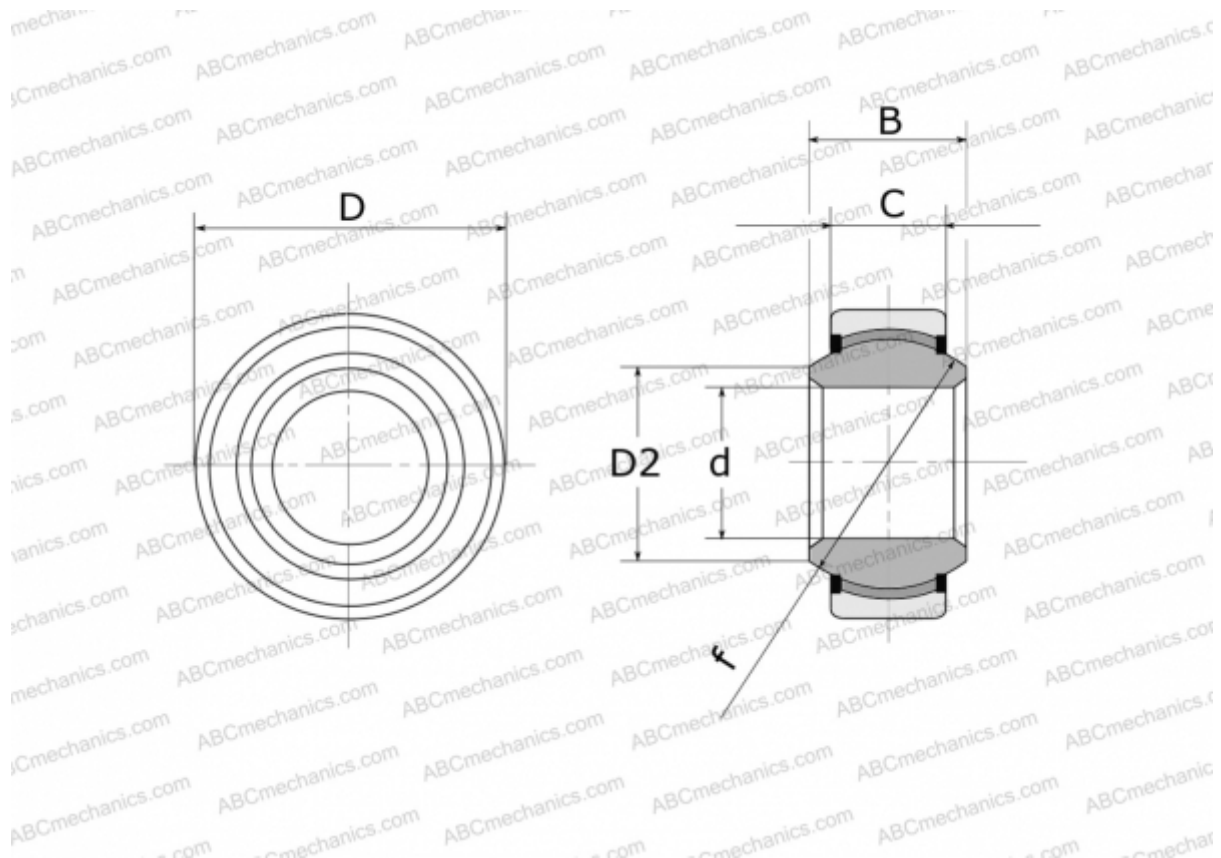


GE 140 FW-2RS FLURO

Spherical plain bearings

TYPE: Plain bearings, Spherical plain bearings and rod ends, Radial spherical plain bearings, Maintenance free, Series GE..-FW-2RS (FLURO), contact seals on both side



Technical specification

DIMENSIONS, MM

| | |
|----|---------|
| d | 140,000 |
| D | 230,000 |
| D2 | 151,900 |
| B | 130,000 |
| f | 200,000 |
| C | 80,000 |

WEIGHT, KG 18,900

MANUFACTURER [FLURO](#)