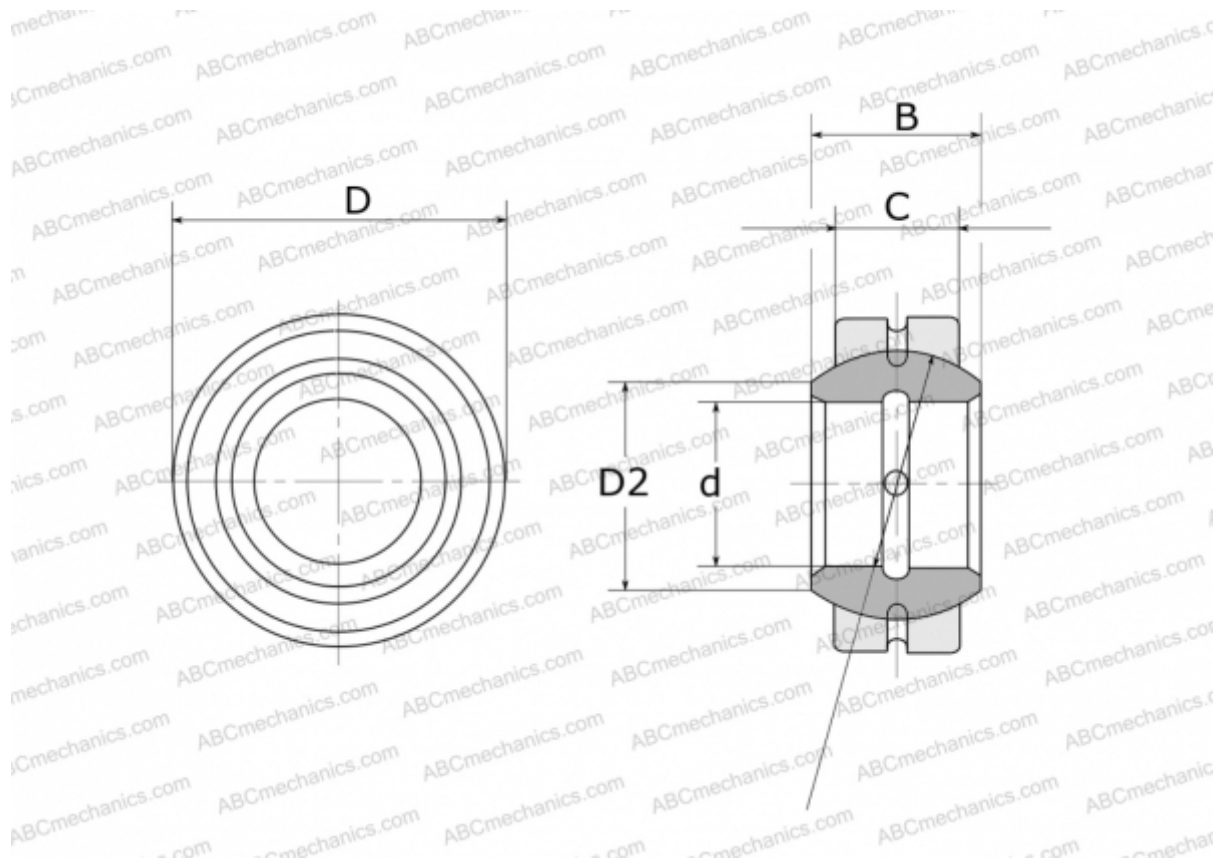


GE 30 E FLURO

Spherical plain bearings

TYPE: Plain bearings, Spherical plain bearings and rod ends, Radial spherical plain bearings, Requiring maintenance, Series GE..E (FLURO)



Technical specification

DIMENSIONS, MM

| | |
|----|--------|
| d | 30,000 |
| D | 47,000 |
| D2 | 34,200 |
| B | 22,000 |
| f | 40,700 |
| C | 18,000 |

WEIGHT, KG 0,149

MANUFACTURER [FLURO](#)