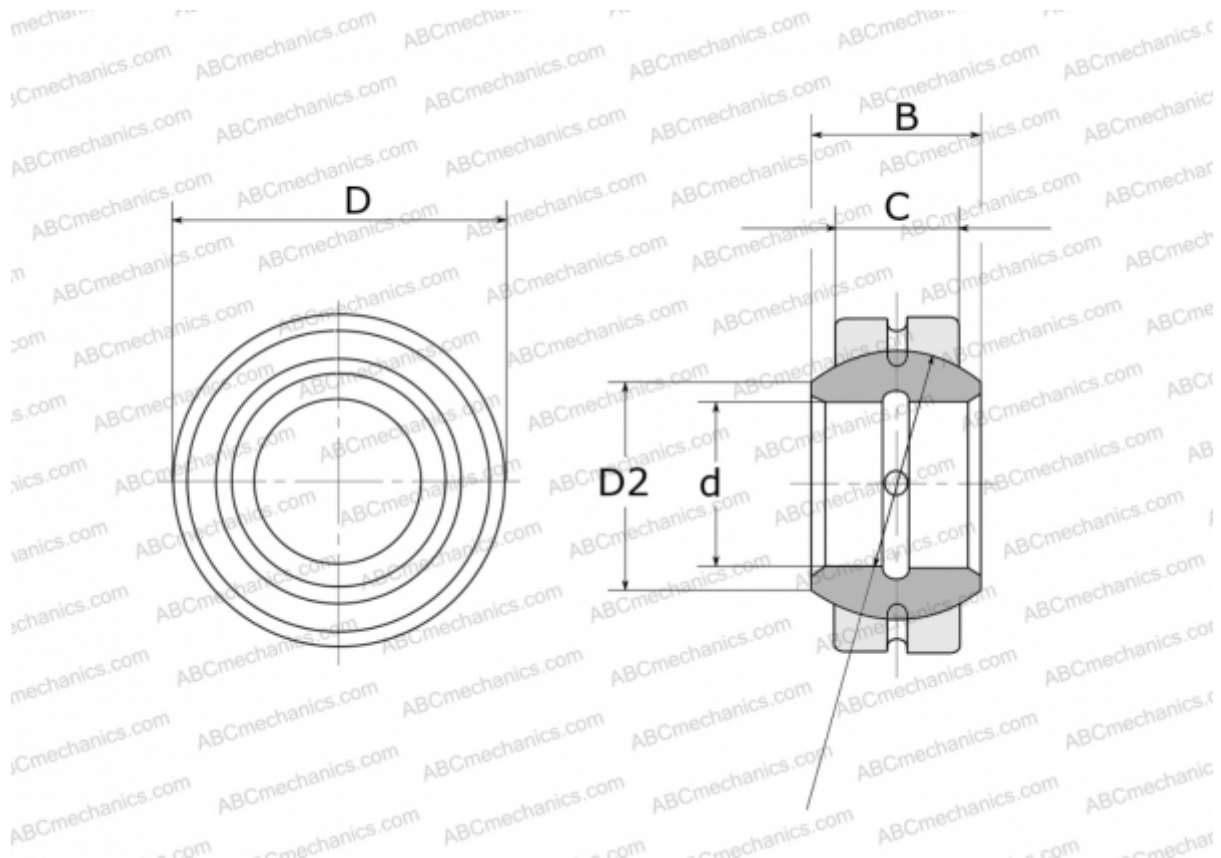


GE 100 E FLURO

Spherical plain bearings

TYPE: Plain bearings, Spherical plain bearings and rod ends, Radial spherical plain bearings, Requiring maintenance, Series GE..E (FLURO)



Technical specification

DIMENSIONS, MM

| | |
|----|---------|
| d | 100,000 |
| D | 150,000 |
| D2 | 109,500 |
| B | 70,000 |
| f | 130,000 |
| C | 55,000 |

WEIGHT, KG 4,440

MANUFACTURER [FLURO](#)