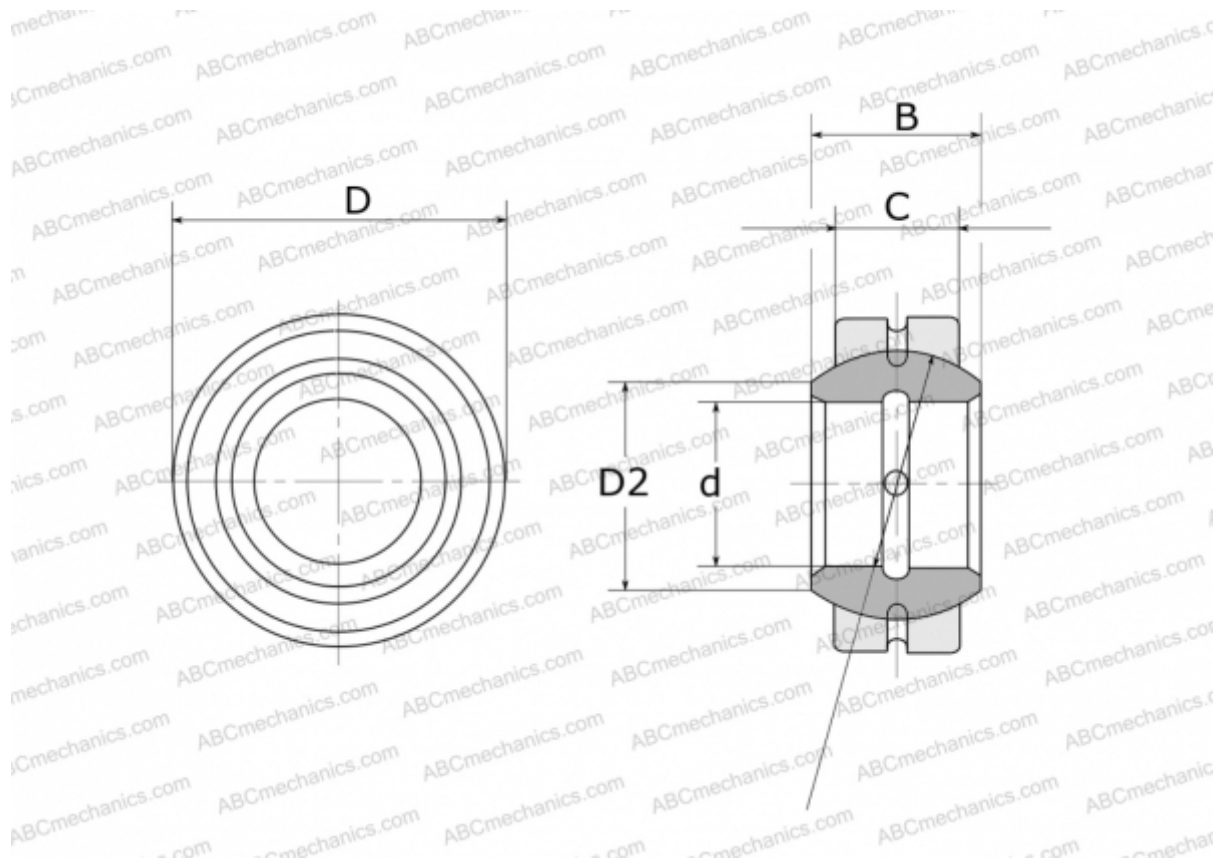


## GE 160 E FLURO

Spherical plain bearings

TYPE: Plain bearings, Spherical plain bearings and rod ends, Radial spherical plain bearings, Requiring maintenance, Series GE..E (FLURO)



### Technical specification

#### DIMENSIONS, MM

d	160,000
D	230,000
D2	170,200
B	105,000
f	200,000
C	80,000

**WEIGHT, KG** 14,100

**MANUFACTURER** [FLURO](#)