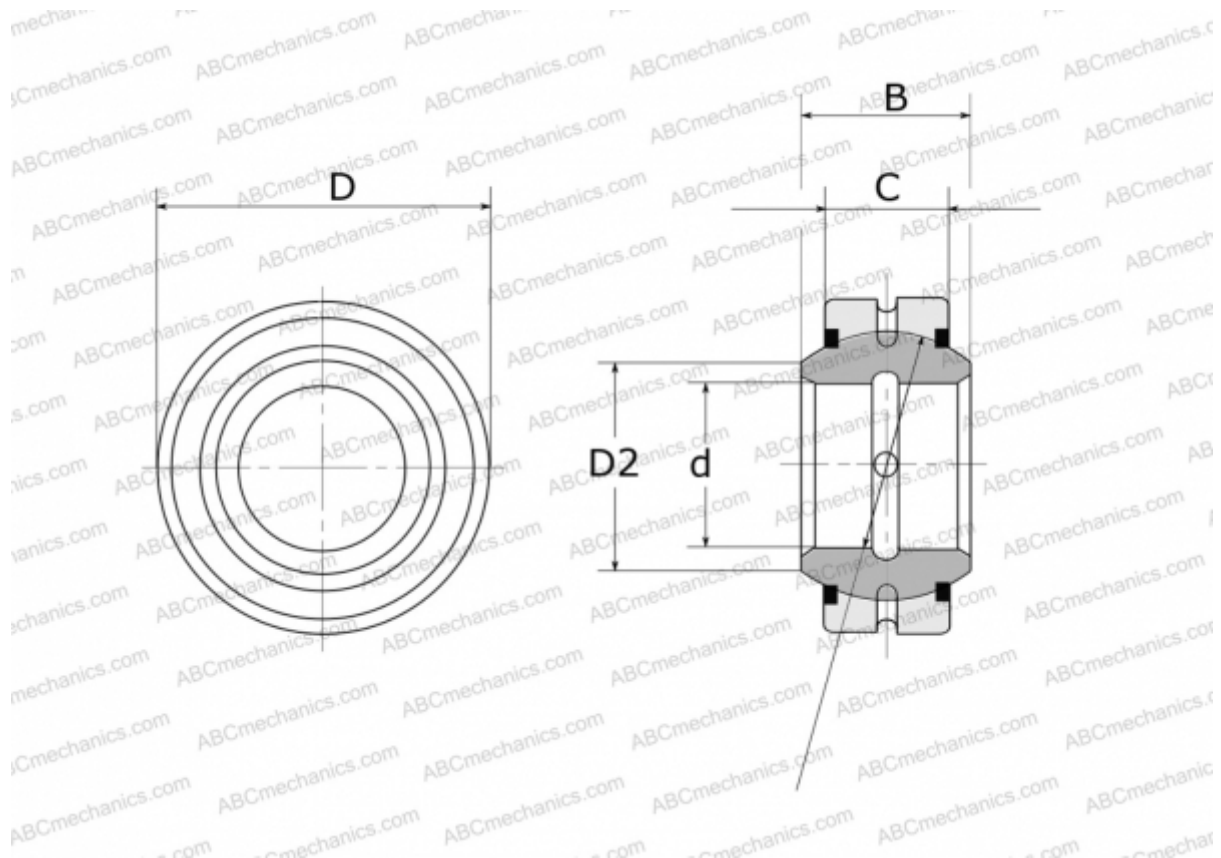


GE 17 E-2RS FLURO

Spherical plain bearings

TYPE: Plain bearings, Spherical plain bearings and rod ends, Radial spherical plain bearings, Requiring maintenance, Series GE..E-2RS (FLURO)



Technical specification

DIMENSIONS, MM

| | |
|----|--------|
| d | 17,000 |
| D | 30,000 |
| D2 | 20,700 |
| B | 14,000 |
| f | 25,000 |
| C | 10,000 |

WEIGHT, KG 0,040

MANUFACTURER [FLURO](#)