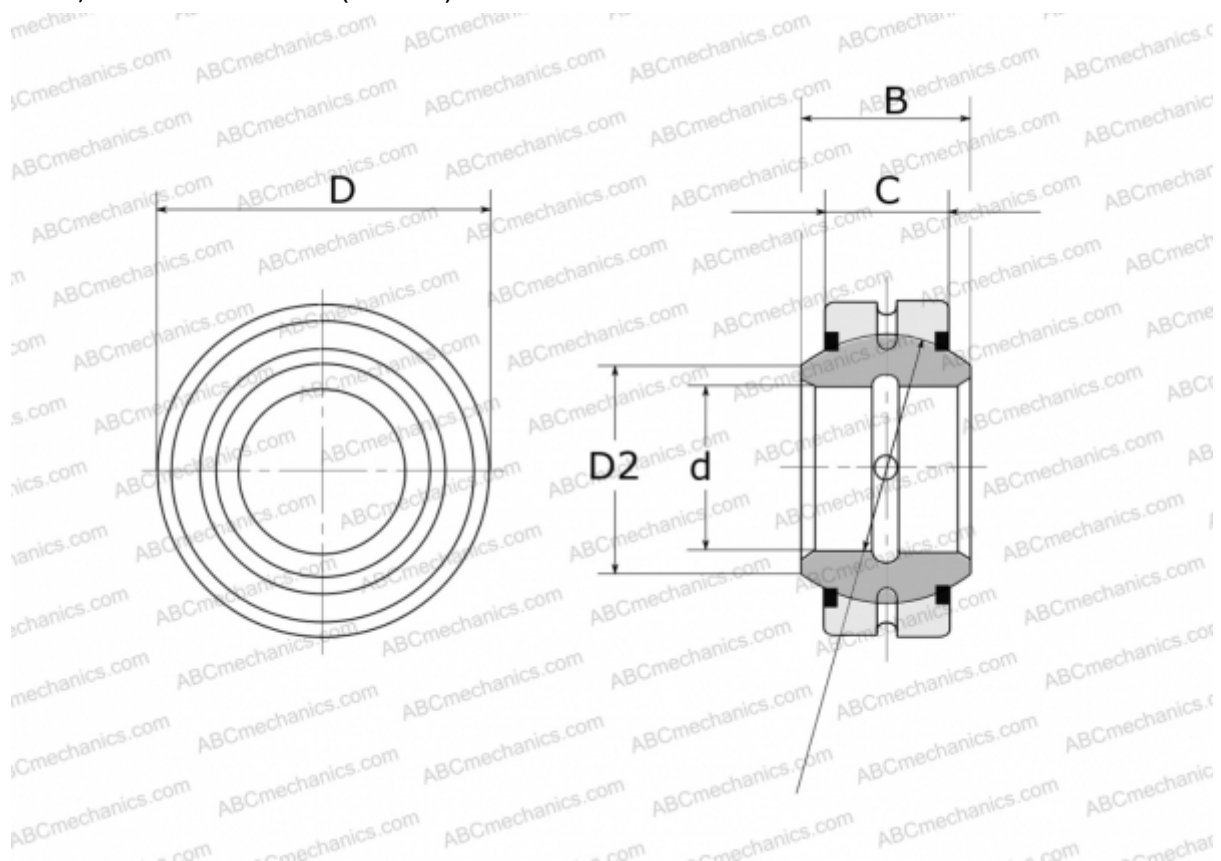


## GE 160 E-2RS FLURO

Spherical plain bearings

TYPE: Plain bearings, Spherical plain bearings and rod ends, Radial spherical plain bearings, Requiring maintenance, Series GE..E-2RS (FLURO)



### Technical specification

#### DIMENSIONS, MM

|    |         |
|----|---------|
| d  | 160,000 |
| D  | 230,000 |
| D2 | 170,200 |
| B  | 105,000 |
| f  | 200,000 |
| C  | 80,000  |

**WEIGHT, KG** 14,100

**MANUFACTURER** [FLURO](#)