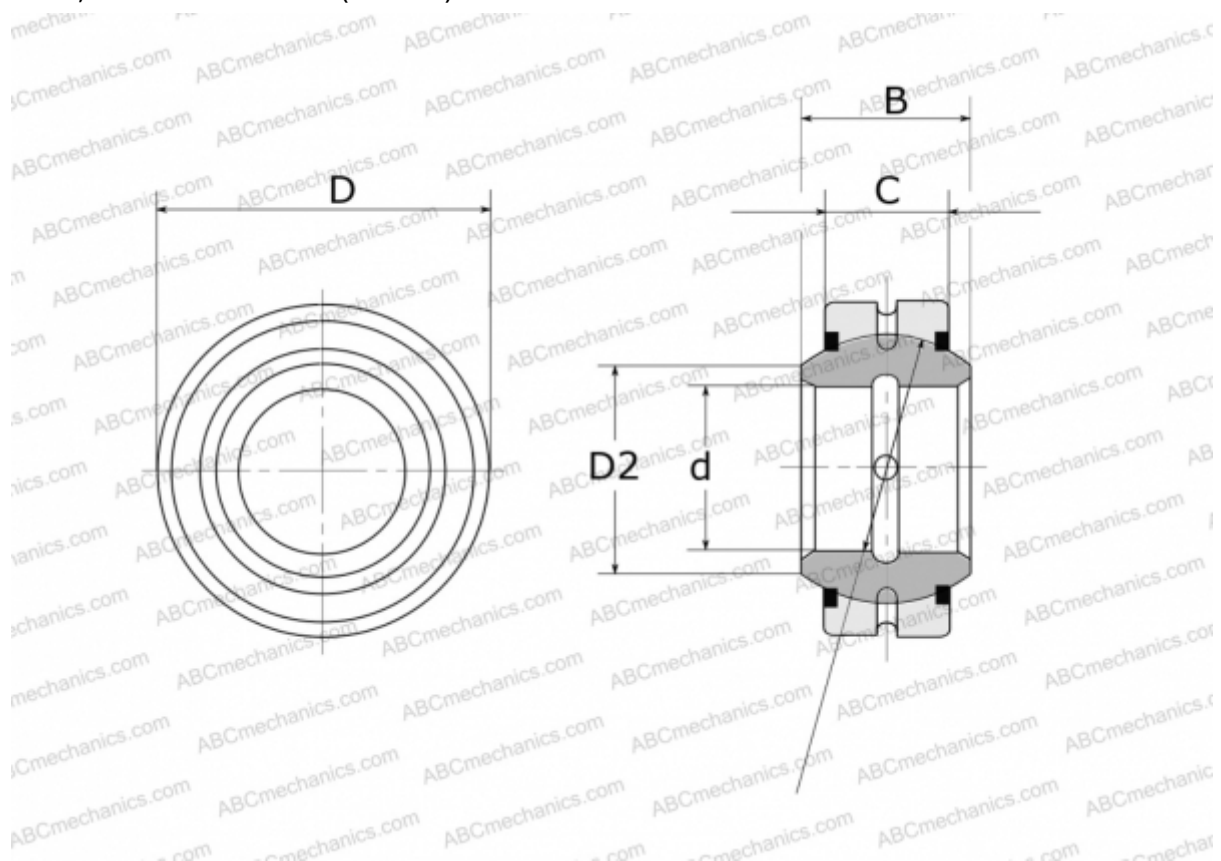


GE 200 E-2RS FLURO

Spherical plain bearings

TYPE: Plain bearings, Spherical plain bearings and rod ends, Radial spherical plain bearings, Requiring maintenance, Series GE..E-2RS (FLURO)



Technical specification

DIMENSIONS, MM

d	200,000
D	290,000
D2	213,500
B	130,000
f	250,000
C	100,000

WEIGHT, KG 28,400

MANUFACTURER [FLURO](#)