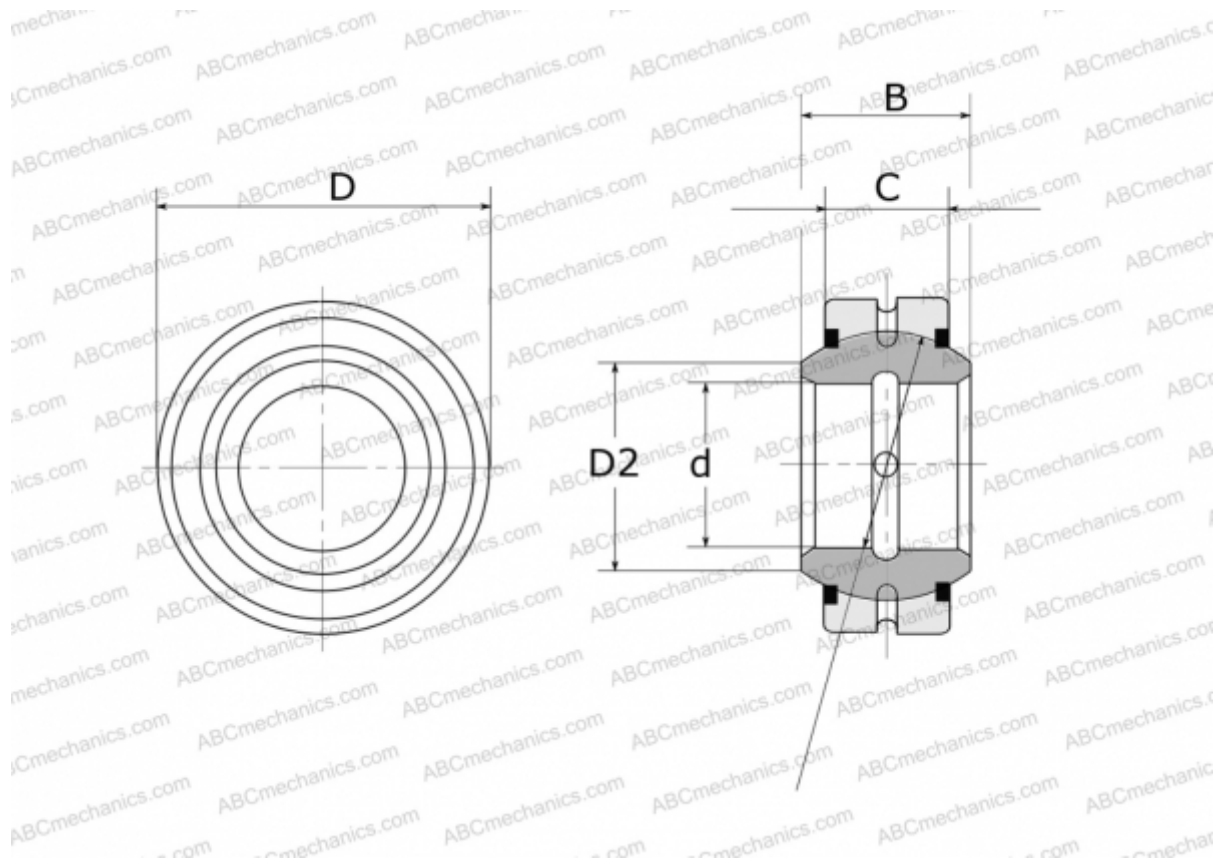


## GE 300 E-2RS FLURO

Spherical plain bearings

TYPE: Plain bearings, Spherical plain bearings and rod ends, Radial spherical plain bearings, Requiring maintenance, Series GE..E-2RS (FLURO)



### Technical specification

#### DIMENSIONS, MM

d	300,000
D	430,000
D2	336,700
B	165,000
f	375,000
C	120,000

**WEIGHT, KG** 77,600

**MANUFACTURER** [FLURO](#)