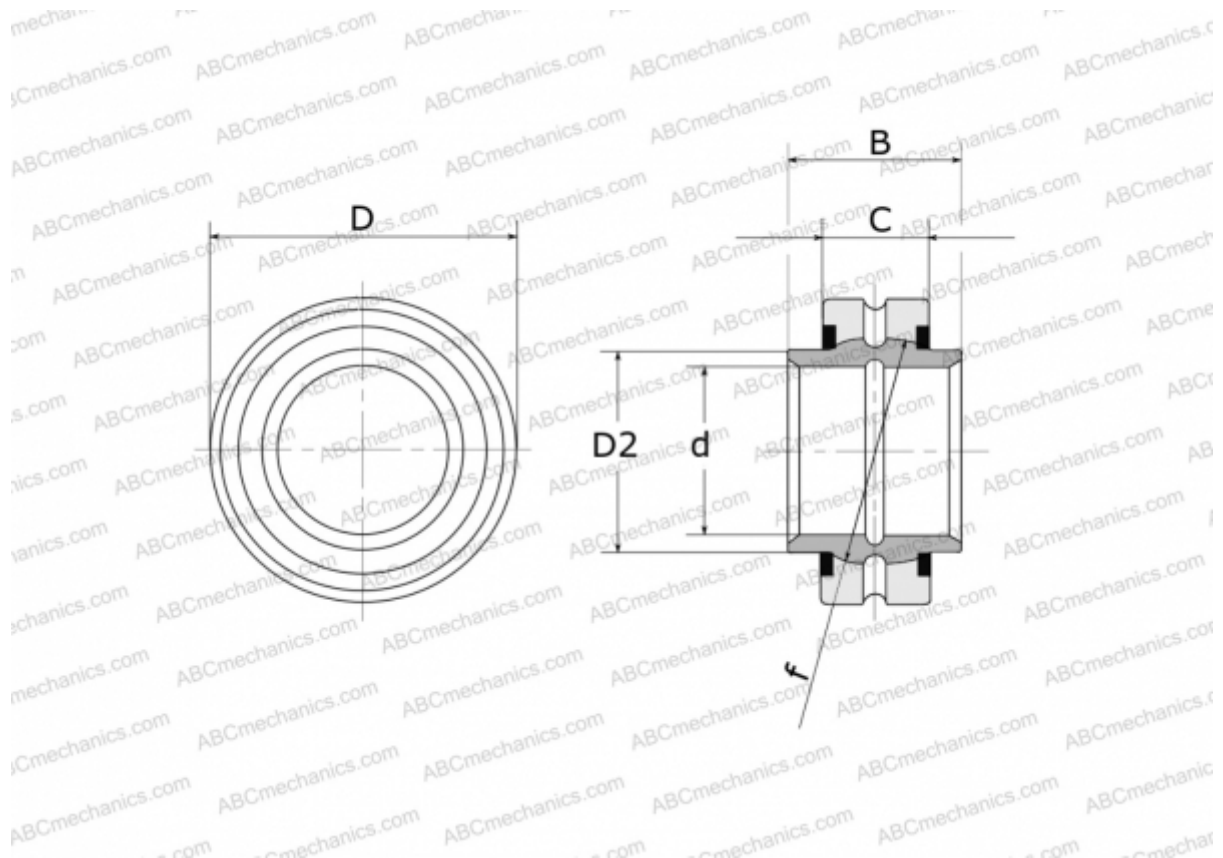


## GE 16 HO FLURO

Spherical plain bearings

TYPE: Plain bearings, Spherical plain bearings and rod ends, Radial spherical plain bearings, Requiring maintenance, Series GE..-HO-2RS (FLURO), contact seals on both side



### Technical specification

#### DIMENSIONS, MM

|    |        |
|----|--------|
| d  | 16,000 |
| D  | 30,000 |
| D2 | 21,000 |
| B  | 21,000 |
| f  | 25,000 |
| C  | 10,000 |

**WEIGHT, KG** 0,044

**MANUFACTURER** [FLURO](#)