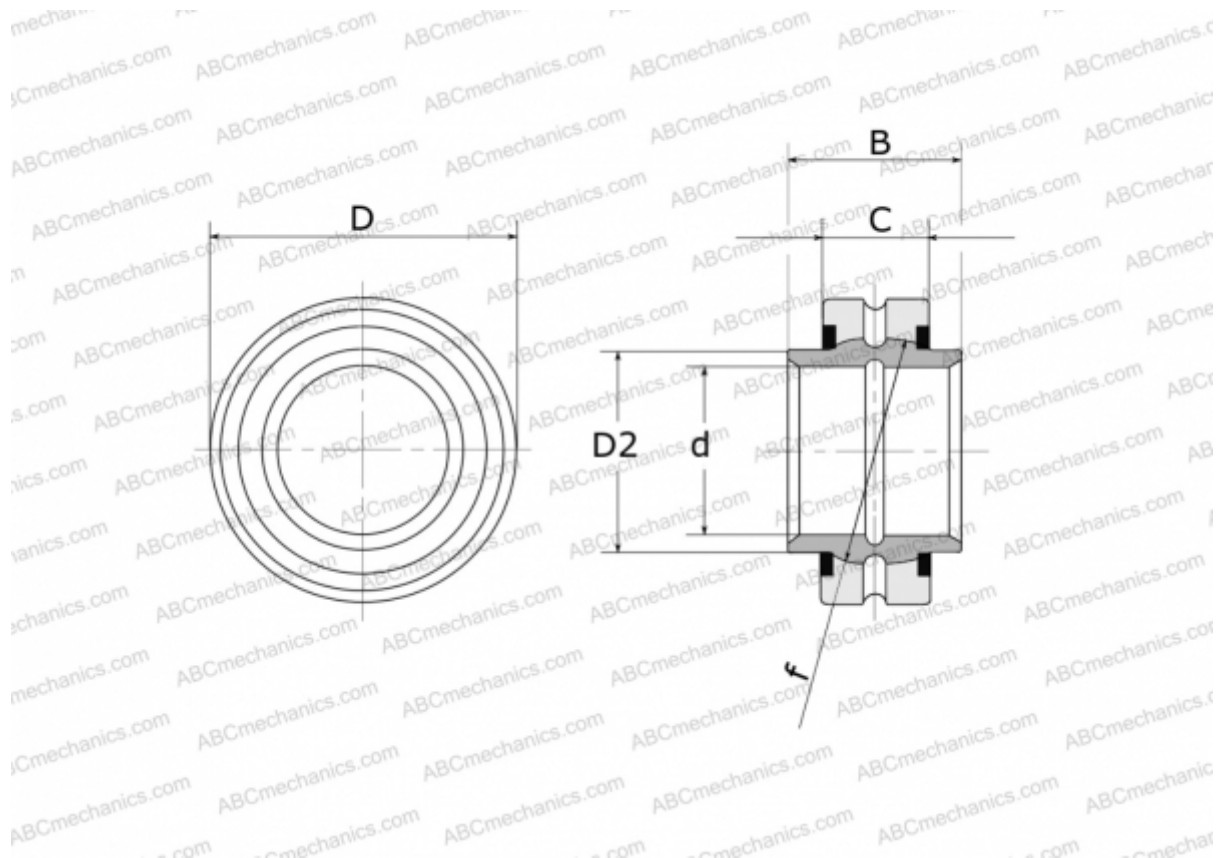


GE 17 HO-2RS FLURO

Spherical plain bearings

TYPE: Plain bearings, Spherical plain bearings and rod ends, Radial spherical plain bearings, Requiring maintenance, Series GE..-HO-2RS (FLURO), contact seals on both side



Technical specification

DIMENSIONS, MM

d	17,000
D	30,000
D2	21,000
B	21,000
f	25,000
C	10,000

MANUFACTURER [FLURO](#)