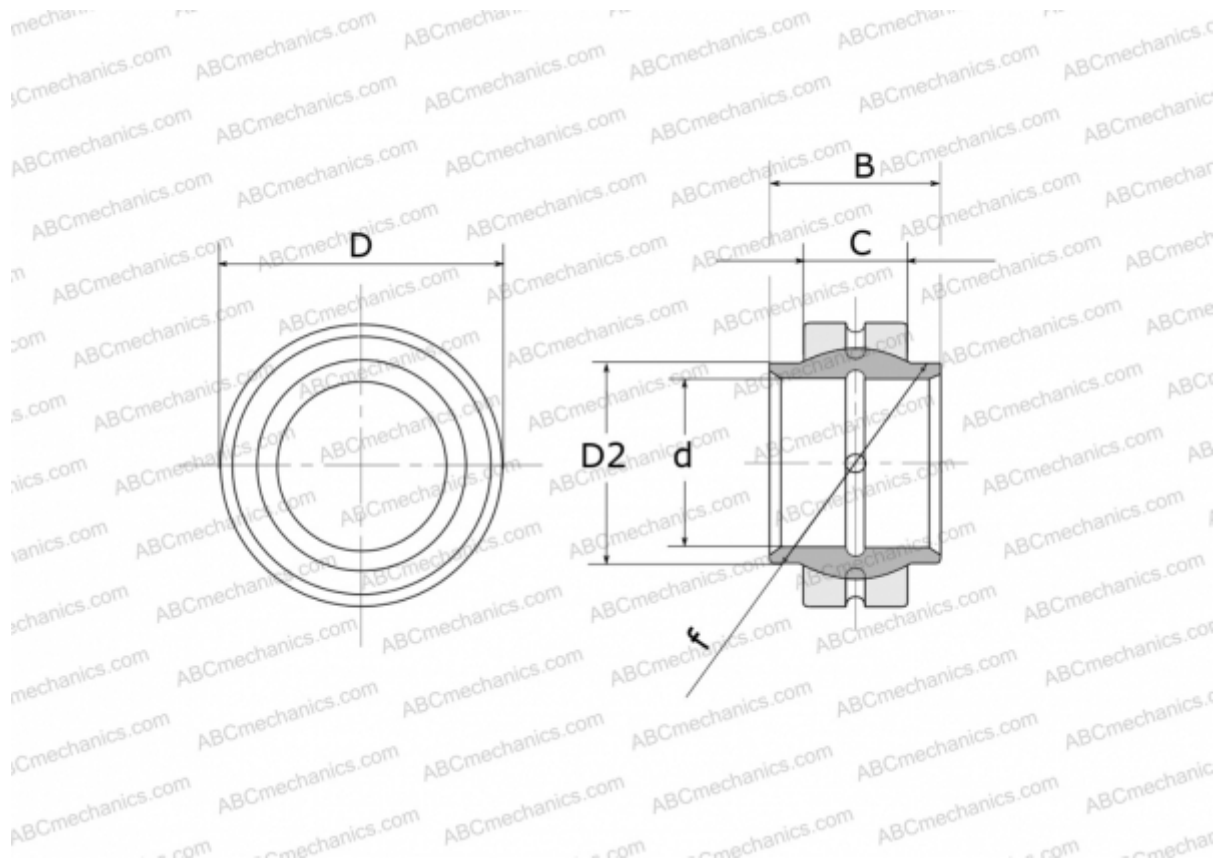


GE 12 LO FLURO

Spherical plain bearings

TYPE: Plain bearings, Spherical plain bearings and rod ends, Radial spherical plain bearings, Requiring maintenance, Series GE...LO (FLURO)



Technical specification

DIMENSIONS, MM

| | |
|----|--------|
| d | 12,000 |
| D | 22,000 |
| D2 | 15,500 |
| B | 12,000 |
| f | 18,000 |
| C | 7,000 |

WEIGHT, KG 0,017

MANUFACTURER [FLURO](#)