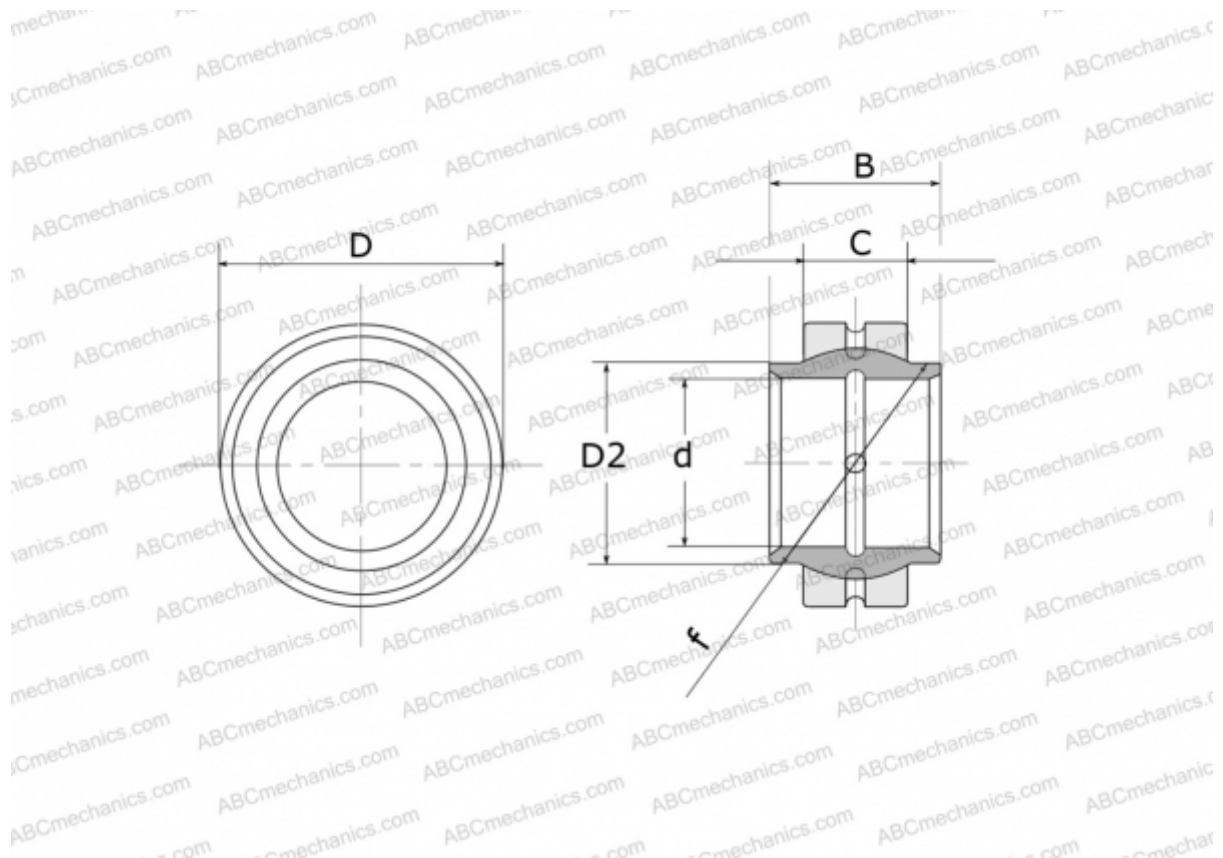


## GE 40 LO FLURO

Spherical plain bearings

TYPE: Plain bearings, Spherical plain bearings and rod ends, Radial spherical plain bearings, Requiring maintenance, Series GE...LO (FLURO)



### Technical specification

#### DIMENSIONS, MM

|    |        |
|----|--------|
| d  | 40,000 |
| D  | 62,000 |
| D2 | 46,000 |
| B  | 40,000 |
| f  | 53,000 |
| C  | 22,000 |

**WEIGHT, KG** 0,349

**MANUFACTURER** [FLURO](#)