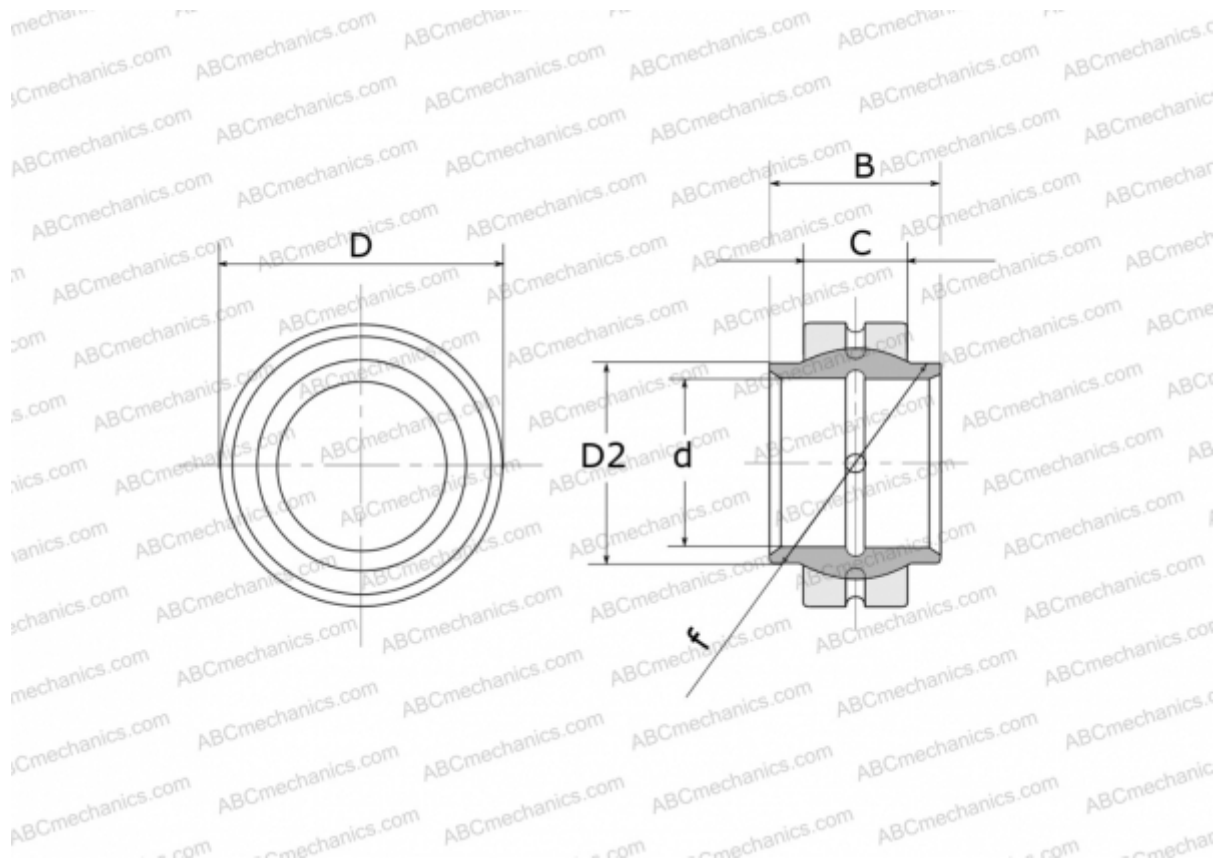


GE 250 LO FLURO

Spherical plain bearings

TYPE: Plain bearings, Spherical plain bearings and rod ends, Radial spherical plain bearings, Requiring maintenance, Series GE...LO (FLURO)



Technical specification

DIMENSIONS, MM

d	250,000
D	400,000
D2	317,000
B	250,000
f	350,000
C	120,000

WEIGHT, KG 101,000

MANUFACTURER [FLURO](#)