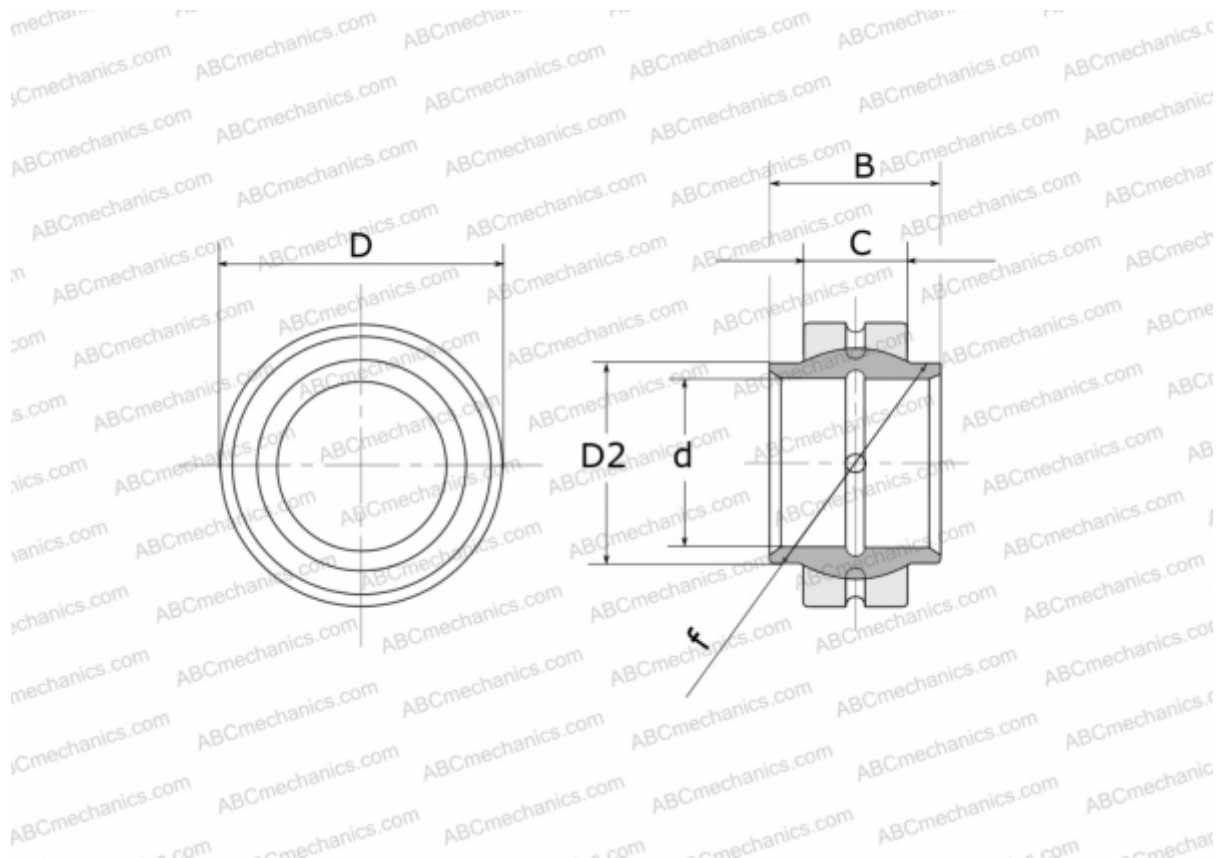


## GE 320 LO FLURO

Spherical plain bearings

TYPE: Plain bearings, Spherical plain bearings and rod ends, Radial spherical plain bearings, Requiring maintenance, Series GE...LO (FLURO)



### Technical specification

#### DIMENSIONS, MM

d	320,000
D	520,000
D2	405,000
B	320,000
f	450,000
C	160,000

**WEIGHT, KG** 225,000

**MANUFACTURER** [FLURO](#)