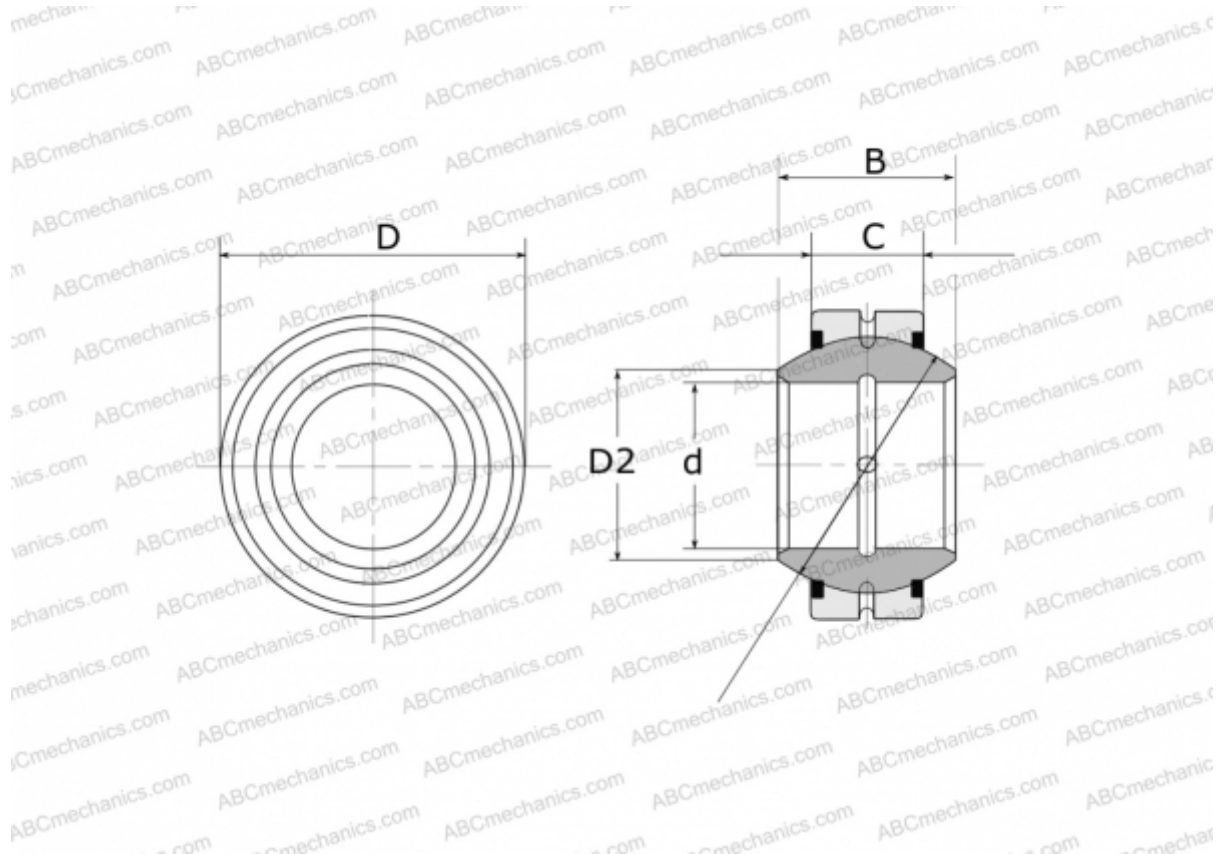


GE 180 FO-2RS FLURO

Spherical plain bearings

TYPE: Plain bearings, Spherical plain bearings and rod ends, Radial spherical plain bearings, Requiring maintenance, Series GE...FO-2RS (FLURO), contact seals on both side



Technical specification

DIMENSIONS, MM

d	180,000
D	290,000
D2	196,100
B	155,000
f	250,000
C	100,000

WEIGHT, KG 35,900

MANUFACTURER [FLURO](#)