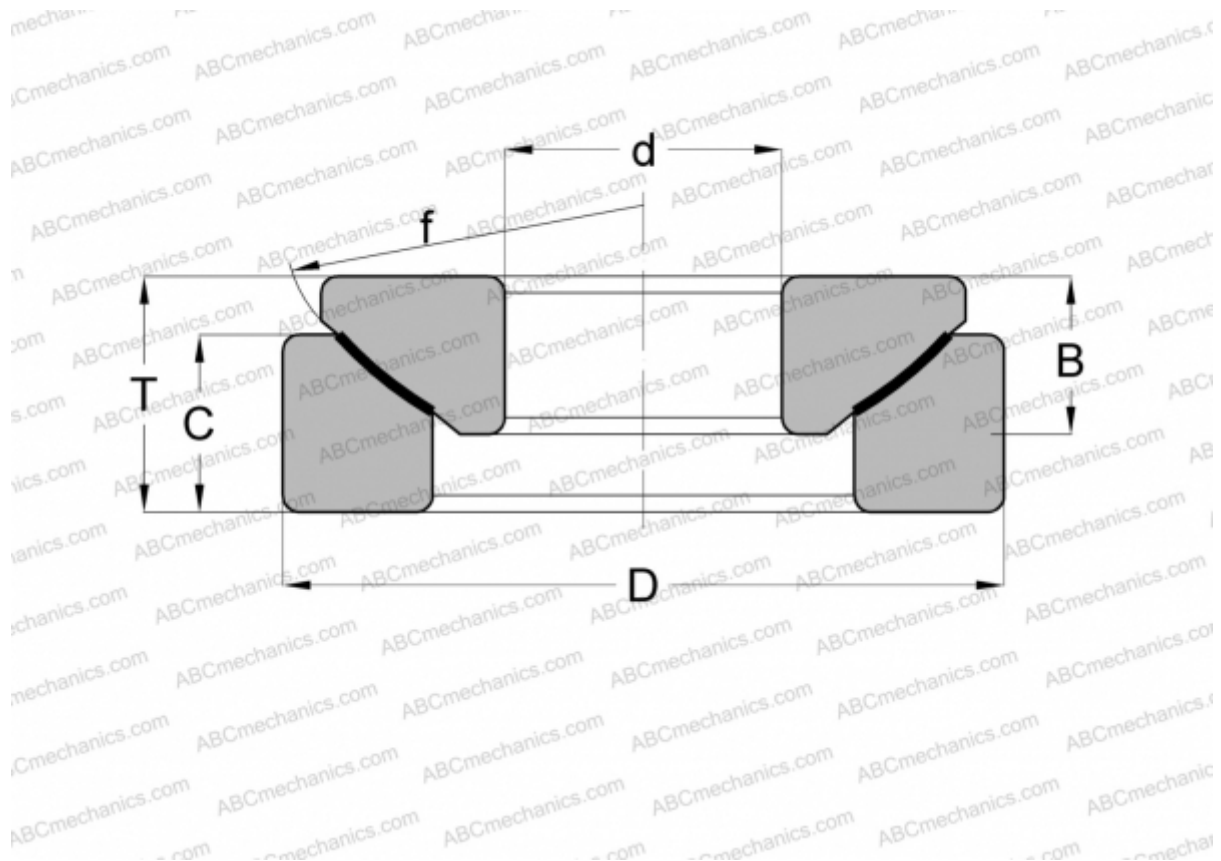


GE 260 AW ELGES

Spherical plain bearings

TYPE: Plain bearings, Spherical plain bearings and rod ends, Thrust spherical plain bearings, Maintenance free, Series GE..-AW (INA)



Technical specification

DIMENSIONS, MM

| | |
|---|---------|
| d | 260,000 |
| D | 430,000 |
| B | 95,000 |
| f | 449,000 |
| T | 115,000 |
| C | 80,000 |

WEIGHT, KG 71,300

MANUFACTURER [ELGES](#)