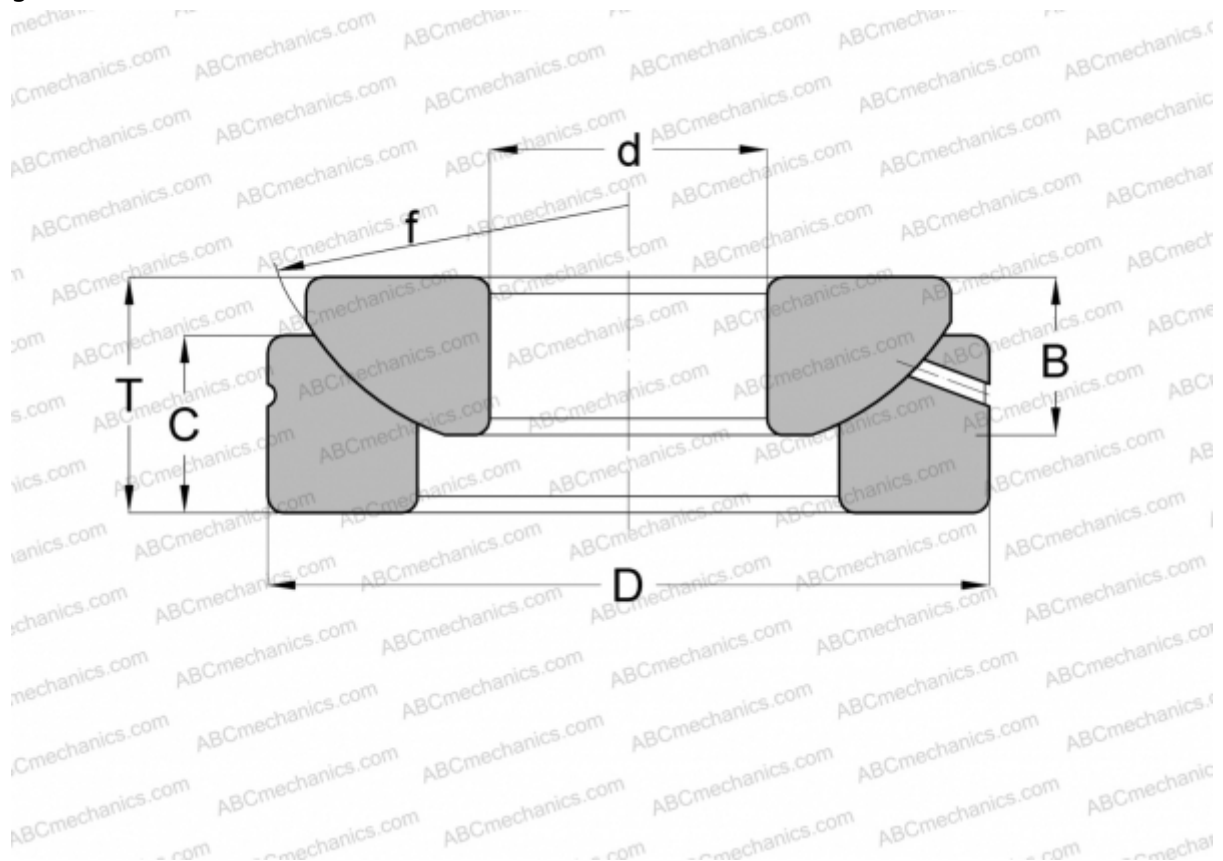


GE 100 AX FLURO

Spherical plain bearings

TYPE: Plain bearings, Spherical plain bearings and rod ends, Thrust spherical plain bearings,
Requiring maintenance, Series GE..-AX (FLURO)



Technical specification

DIMENSIONS, MM

d	100,000
D	210,000
B	51,000
f	222,000
T	59,000
C	46,000

WEIGHT, KG 11,000

MANUFACTURER [FLURO](#)