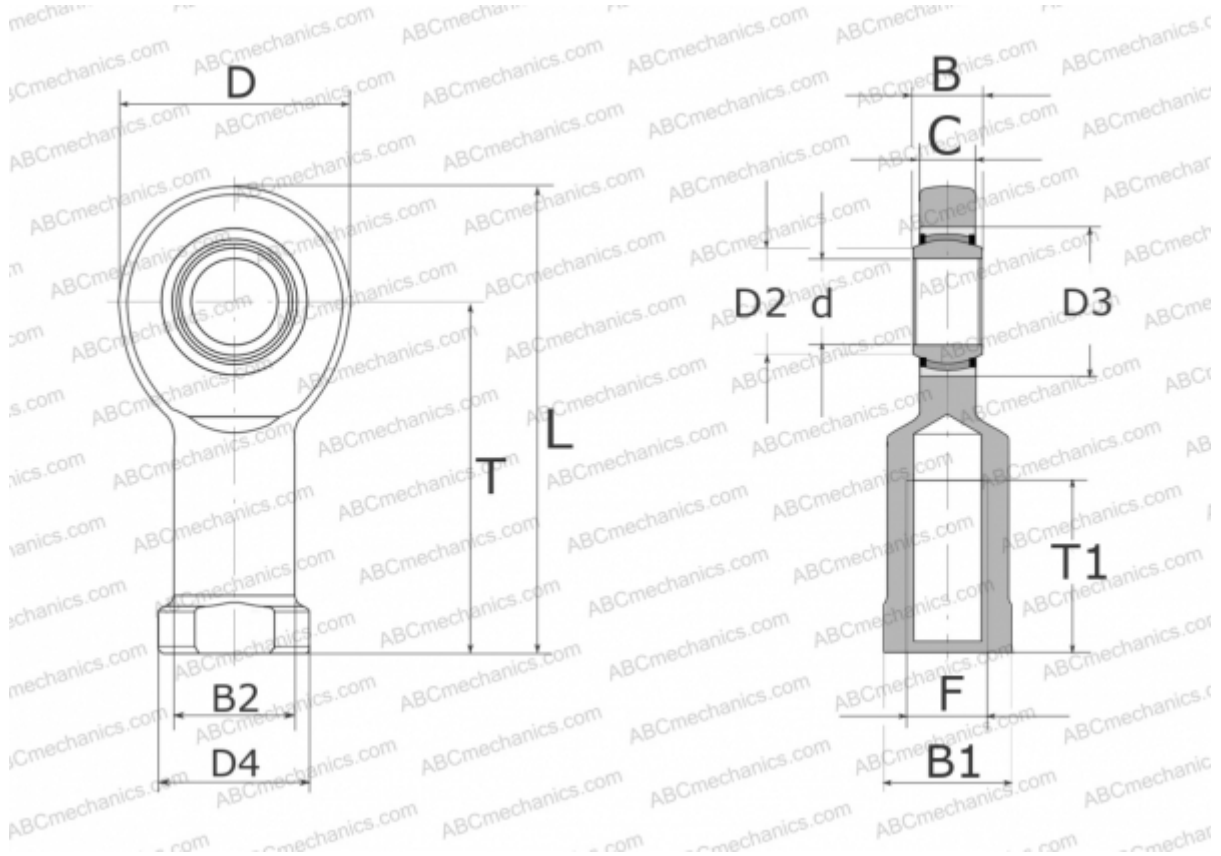


GIR20-UK-2RS ELGES

TYPE: Plain bearings, Spherical plain bearings and rod ends, Rod ends, Maintenance free, With internal thread, with lip seals or high performance seals, right hand thread, series GIR..-UK-2RS (INA)



Technical specification

DIMENSIONS, MM

d	20,000
D	53,000
D2	24,200
D3	35,000
D4	35,000
B	16,000
B1	32,000
B2	27,500
L	103,500
T	77,000
T1	40,000
C	13,000
F	M20X1.5

MANUFACTURER

[ELGES](#)

WEIGHT, KG

0,360